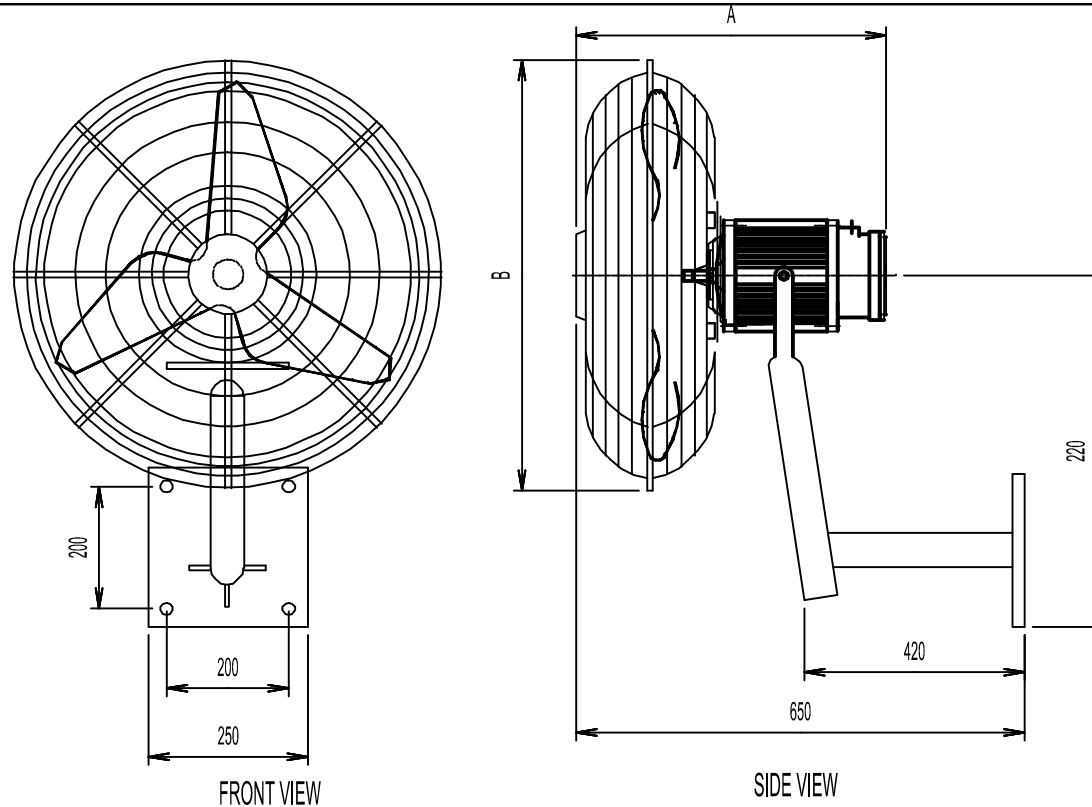


TYPE NO. :  
 CERT. NO. :IN/CIMFR / TR20/ H294  
 CCOE (PESO) No. P/506153/2



**TECHNICAL DATA**

**ENCLOSURE :**  
 Ex-d AS PER IS/IEC 60079-1 : 2014 SUITABLE  
 FOR INSTALLATION IN  
 HAZARDOUS LOCATION DIV-1&2

**PROTECTION :**  
 IP-66

**AREA CLASSIFICATION :**  
 GAS GROUPS IIA / IIB & IIC AS PER IS/IEC  
 60079-1 : 2014

**MATERIAL OF CONSTRUCTION :**  
 (1) MOTOR BODY -ALUMINIUM LM-6  
 (2) BLADE - ALUMINIUM LM - 6  
 (3) FRAME - MS

**RATING :**  
 240V/415V ±10% 50 Hz ±3%, 1ph/3ph

**SURFACE TEMP CLASSIFICATION :**  
 T6

**HARDWARE :**  
 ALL THE EXTERNAL HARDWARE WILL BE OF  
 S.S. 304

**EARTHLING :**  
 1 NO. INTERNAL & 2 NOS. EXTERNAL

**FINISH :**  
 (POWDER COATING) DARK GRAY  
 (OTHER SHADE ON REQUEST)

**CABLE ENTRY :**  
 1 NO. x 3/4" ET (BSC) OR 1/2" NPT/BSP OR  
 M20-1.5 mm

**ACCESSORIES :**  
 CABLE GLANDS, STOPPING PLUGS,

DIMENSION					
INCHES	MM	A	B	RPM	m3/h
18	457	420	540	1440	9000
24	610	420	690	1440	16200
30	762	420	780	1440	24000

**DISCLAIMER:**  
 THE DESIGN/SPECIFICATION OF THIS OF THIS DRAWING IS SOLE PROPERTY OF **SIMEX FLAMEPROOF INDUSTRIES** AND IT SHALL NOT TO BE COPIED, REPRODUCED, EXHIBITED, AND USED IN LIMITED WAY AS PERMITTED BY WRITTEN CONSENT. ANY DRAWING/SPECIFICATION AND COPIES AMDE BY BORROWER SHALL BE RETURNED ON DEMAND.

	MATERIAL	-		
	R.MAT SIZE	-		
<b>TITLE:-</b> FLAMEPROOF & WEATHERPROOF WALLMOUNTING FAN	WEIGHT	-		
	QUANTITY	1		
	PREPD. BY	A.B.Patel	17/06/2021	
	APRWD. BY	A.B.Patel	17/06/2021	
DRG. NO.	SI / FLP 035			