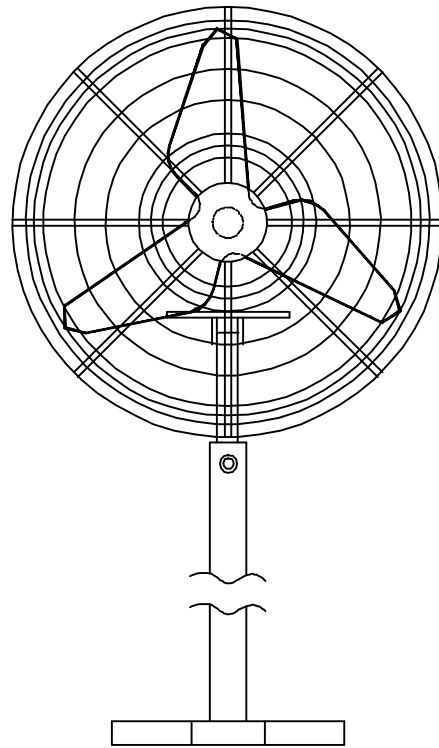
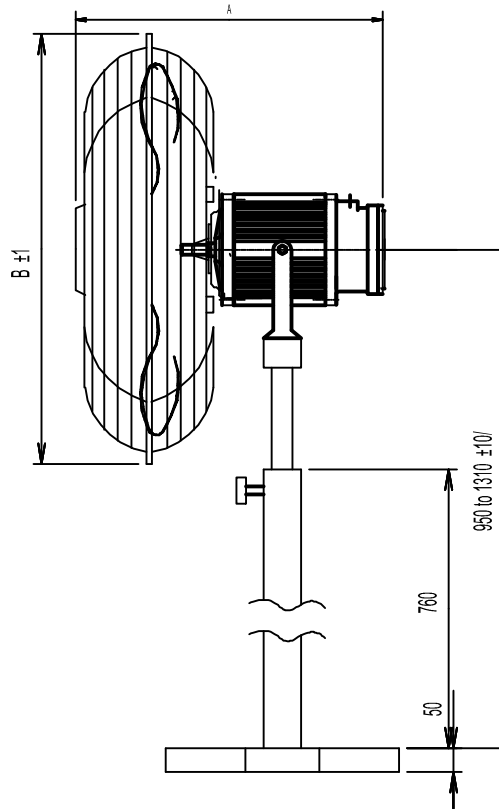


TYPE NO. : EF - 5001
 CERT. NO. :INCIMFR / TR20/ H294
 CCOE (PESO) No. P/506153/2



FRONT VIEW



SIDE VIEW

TECHNICAL DATA

ENCLOSURE :
 Ex-d AS PER IS/IEC 60079-1 : 2014 SUITABLE
 FOR INSTALLATION IN
 HAZARDOUS LOCATION DIV-1&2

PROTECTION :
 IP-66

AREA CLASSIFICATION :
 GAS GROUPS IIA / IIB & IIC AS PER IS/IEC
 60079-1 : 2014

MATERIAL OF CONSTRUCTION :
 (1) MOTOR BODY -ALUMINIUM LM-6
 (2) BLADE - ALUMINIUM LM - 6
 (3) FRAME - MS

RATING :
 240V/415V ±10% 50 Hz ±3%, 1ph/3ph

SURFACE TEMP CLASSIFICATION :
 T6

HARDWARE :
 ALL THE EXTERNAL HARDWARE WILL BE OF
 S.S. 304

EARTHLING :
 1 NO. INTERNAL & 2 NOS. EXTERNAL

FINISH :
 (POWDER COATING) DARK GRAY
 (OTHER SHADE ON REQUEST)

CABLE ENTRY :
 1 NO. x 3/4" ET (BSC) OR 1/2" NPT/BSP OR
 M20-1.5 mm

ACCESSORIES :
 CABLE GLANDS, STOPPING PLUGS,

DIMENSION					
INCHES	MM	A	B	RPM	m3/h
18	457	390	540	1440	9000
24	610	390	680	1440	16200
30	762	390	820	1440	24000

DISCLAIMER:

THE DESIGN/SPECIFICATION OF THIS OF THIS DRAWING IS SOLE PROPERTY OF **SIMEX FLAMEPROOF INDUSTRIES** AND IT SHALL NOT TO BE COPIED, REPRODUCED, EXHIBITED, AND USED IN LIMITED WAY AS PERMITTED BY WRITTEN CONSENT. ANY DRAWING/SPECIFICATION AND COPIES AMDE BY BORROWER SHALL BE RETURNED ON DEMAND.



SIMEX FLAMEPROOF INDUSTRIES
 AHMEDABAD - 382430 GUJARAT, INDIA

TITLE:-
 FLAMEPROOF & WEATHERPROOF
 PEDESTAL FAN

WEIGHT	-
QUANTITY	1
PREPD. BY	A.B.Patel
APRWD. BY	A.B.Patel



17/06/2021
17/06/2021

DRG. NO. SI / FLP 035