

TYPE NO. : EF-5001  
 CERT. NO. :IN/CIMFR / TR20/ H294  
 CCOE (PESO) No. P/506153/2

**TECHNICAL DATA**

**ENCLOSURE :**  
 Ex-d AS PER IS/IEC 60079-1 : 2014 SUITABLE  
 FOR INSTALLATION IN  
 HAZARDOUS LOCATION DIV-1&2

**PROTECTION :**  
 IP-66

**AREA CLASSIFICATION :**  
 GAS GROUPS IIA / IIB & IIC AS PER IS/IEC  
 60079-1 : 2014

**MATERIAL OF CONSTRUCTION :**  
 (1) MOTOR BODY -ALUMINIUM LM-6  
 (2) BLADE - ALUMINIUM LM - 6  
 (3) FRAME - MS

**RATING :**  
 240V/415V ±10% 50 Hz ±3%, 1ph/3ph

**SURFACE TEMP CLASSIFICATION :**  
 T6

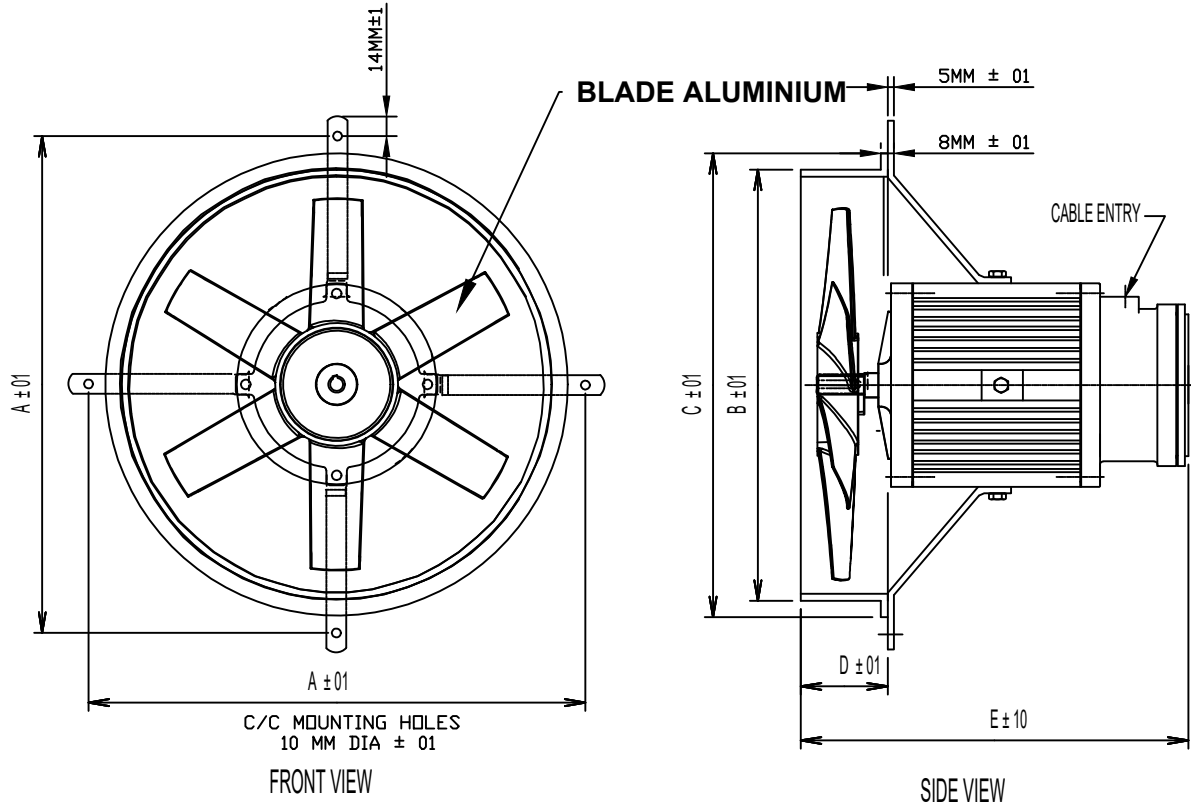
**HARDWARE :**  
 ALL THE EXTERNAL HARDWARE WILL BE OF  
 S.S.304

**EARTHLING :**  
 1 NO. INTERNAL & 2 NOS. EXTERNAL

**FINISH :**  
 (POWDER COATING) DARK GRAY  
 (OTHER SHADE ON REQUEST)

**CABLE ENTRY :**  
 1 NO. x 3/4" ET (BSC) OR 1/2" NPT/BSP OR  
 M20-1.5 mm



**ACCESSORIES :**  
 CABLE GLANDS, STOPPING PLUGS,  
 LOUVERS, BIRD CATCHER MASH  
 AVAILABLE ON SPECIAL REQUEST



DIMENSION									
INCHES	MM	A	B	C	D	E	RPM	H.P.	CFM
12	305	397	337	360	75	360	1440	0.25	1250
15	380	475	415	440	85	360	1440	0.33	2500
18	460	570	500	520	85	360	1440	0.5	4200
24	610	720	655	680	95	360	960	1	6100

**DISCLAIMER:**  
 THE DESIGN/SPECIFICATION OF THIS OF THIS DRAWING IS SOLE PROPERTY OF SIMEX FLAMEPROOF INDUSTRIES AND IT SHALL NOT TO BE COPIED, REPRODUCED, EXHIBITED, AND USED IN LIMITED WAY AS PERMITTED BY WRITTEN CONSENT. ANY DRAWING/SPECIFICATION AND COPIES AMDE BY BORROWER SHALL BE RETURNED ON DEMAND.

ALL DIMENSIONS ARE IN MM UNLESS OTHERWISE SPECIFIED.

	<b>SIMEX FLAMEPROOF INDUSTRIES</b> AHMEDABAD - 382430 GUJARAT, INDIA		
	TITLE:- FLAMEPROOF & WEATHERPROOF EXHAUST FAN	WEIGHT -	
DRG. NO. SI / FLP 035	QUANTITY 1		
APRWD. BY A.B.Patel	PREPD. BY A.B.Patel	17/06/2021	