

# TECHNICAL DATA SHEET

**Division:**  
Lighting

**Department:** Design  
and Development

**Document Number:** TD 0907256

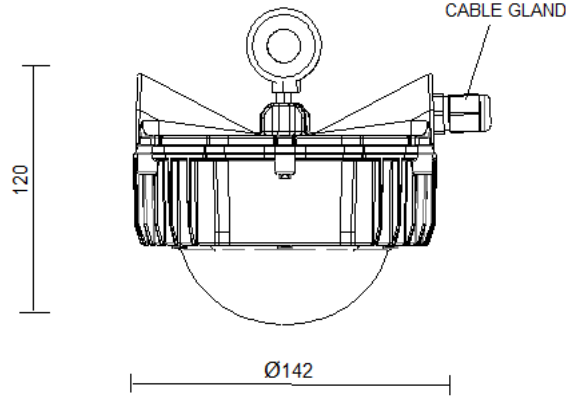
Page 1 of 3

Revision : R00

Issue No. 1

Date:17/06/2022

Issue Date:02-05-2018



DIMENSIONS SHOWN ARE FOR INSTALLATION REFERENCES ONLY AND WILL HAVE TOLERANCE  $\pm 3$ mm UNLESS OTHERWISE SPECIFIED

## GENERAL:

This integrated LED Well glass luminaire comprises of die cast canopy, control gear housing and PC Clear Cover and Driver are provided in control gear housing. This is recommended to be used in cement plants, power plants, steel plants, material handling plants and outdoor/semi outdoor areas

PRODUCT DESCRIPTION	**NOMINAL WATTAGE (W)	CCT (K)	CRI	VOLTAGE (V)	**MAINS CURRENT (A)	*APPROX WT (KG)
TIP-311-40-57-SL-CP-NSG	40	5700	70	240	0.175	0.63

\*ONLY FOR STRUCTURAL/MOUNTING DESIGN CONSIDERATION

\*\*RATED SYSTEM WATTAGE AND CURRENT WILL HAVE TOLERANCE AS PER IS 16104: 2012

<b>Title:</b> LED Well Glass	<b>Type:</b> - TIP-311	<b>Customer Reference:</b>
<b>Product Description:</b> TIP-311-40-57-SL-CP-NSG		

<b>PREPARED BY</b> Riteshkumar Doshi	<b>CHECKED BY</b> Ganesh Dhuri	<b>APPROVED BY</b> Padmaraj.Ganesh
---	-----------------------------------	---------------------------------------

Note: 1 AS EFFORTS ARE ON CONSTANTLY TO IMPROVE THE DESIGN AND METHODS OF MANUFACTURE OF THE PRODUCT, THE PRODUCT SUPPLIED MAY DIFFER IN DETAIL FROM THE DATA GIVEN HERE IN

2. THIS DRAWING & DESIGN IS THE PROPERTY OF CROMPTON GREAVES CONSUMER ELECTRICALS LTD. AND MUST NOT BE COPIED OR LENT WITHOUT THEIR PERMISSION IN WRITING

3.THE "APPROVED" INDICATED THAT IT IS A CONTROL COPY

4. DIMENSION SHOWN ARE FOR INSTALLATION REFERENCE ONLY AND IN MM WITH TOLERANCE OF  $\pm 3$ mm UNLESS OTHERWISE SPECIFIED



Crompton Greaves Consumer  
Electricals Ltd.

# TECHNICAL DATA SHEET

FORM No. DSG/FR/08

Doc Classification:  
Restricted-4

Division:  
Lighting

Department: Design  
and Development

Document Number: TD 0907256

Page 2 of 3

Revision : R00

Issue No. 1

Date:17/06/2022

Issue Date:02-05-2018

## MATERIAL SPECIFICATIONS:

Canopy	Pressure die cast Aluminum powder coated in RAL-7032 shade
CG Housing & Cover	Pressure die cast Aluminum powder coated in RAL-7032 shade
Bowl	Polycarbonate clear Cover
Internal Wiring	PVC Coated multistrand wire
Cable	3 core PVC cable
Earthing	1 No. suitable for 14 SWG earthing wire

## ELECTRICAL PARAMETERS:

Rated Voltage (V)	240
Frequency (Hz)	50 ± 3%
Operating Voltage Range (V)	100-300V
Current (A) @ 240V	0.175
Wattage (W) @240V	40
P.F.	>0.95
I THD	<10
Lumen	EFFICACY >110 Lumens/Watt (For 5700 CCT )

PREPARED BY  
Riteshkumar Doshi

CHECKED BY  
Ganesh Dhuri

APPROVED BY  
Padmaraj.Ganesh

Note: 1 AS EFFORTS ARE ON CONSTANTLY TO IMPROVE THE DESIGN AND METHODS OF MANUFACTURE OF THE PRODUCT, THE PRODUCT SUPPLIED MAY DIFFER IN DETAIL FROM THE DATA GIVEN HERE IN

2. THIS DRAWING & DESIGN IS THE PROPERTY OF CROMPTON GREAVES CONSUMER ELECTRICALS LTD. AND MUST NOT BE COPIED OR LENT WITHOUT THEIR PERMISSION IN WRITING

3.THE "APPROVED" INDICATED THAT IT IS A CONTROL COPY

4. DIMENSION SHOWN ARE FOR INSTALLATION REFERENCE ONLY AND IN MM WITH TOLERANCE OF +/-3mm UNLESS OTHERWISE SPECIFIED



Crompton Greaves Consumer  
Electricals Ltd.

# TECHNICAL DATA SHEET

FORM No. DSG/FR/08

Doc Classification:  
Restricted-4

Division:  
Lighting

Department: Design  
and Development

Document Number: TD 0907256

Page 3 of 3

Revision : R00

Issue No. 1

Date:17/06/2022

Issue Date:02-05-2018

## INSTALLATION:

Cable Entry	PG9 cable gland provided
Mounting System	1No. EYE bolt provided for mounting purpose
Maintenance	Cover of CG Housing can be removed for accessories maintenance.
Protection	IP 66

## PRODUCT ORDERING CODE:

Product Description	Ordering Code
TIP-311-40-57-SL-CP-NSG	TLI300307-E4

## SPARES ORDERING REFERENCE:

Product Description	Driver	Cover		
TIP-311-40-57-SL-CP-NSG	S0DVEXC4-36W-700	S0414033		

PREPARED BY  
Riteshkumar Doshi

CHECKED BY  
Ganesh Dhuri

APPROVED BY  
Padmaraj.Ganesh

Note: 1 AS EFFORTS ARE ON CONSTANTLY TO IMPROVE THE DESIGN AND METHODS OF MANUFACTURE OF THE PRODUCT, THE PRODUCT SUPPLIED MAY DIFFER IN DETAIL FROM THE DATA GIVEN HERE IN

2. THIS DRAWING & DESIGN IS THE PROPERTY OF CROMPTON GREAVES CONSUMER ELECTRICALS LTD. AND MUST NOT BE COPIED OR LENT WITHOUT THEIR PERMISSION IN WRITING

3.THE "APPROVED" INDICATED THAT IT IS A CONTROL COPY

4. DIMENSION SHOWN ARE FOR INSTALLATION REFERENCE ONLY AND IN MM WITH TOLERANCE OF +/-3mm UNLESS OTHERWISE SPECIFIED