

TECHNICAL DATA SHEET

Division:
Lighting

Department: Design
and Development

Document Number: TD 0918034

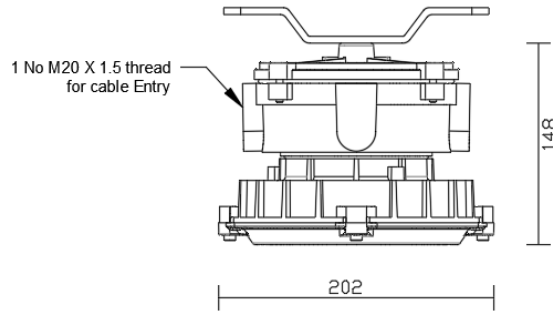
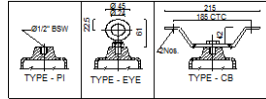
Revision: R00

Date: 01/07/2022

Page 1 of 3

Issue No. 1

Issue Date:02-05-2018



DIMENSIONS SHOWN ARE FOR INSTALLATION REFERENCES ONLY AND WILL HAVE TOLERANCE $\pm 3\text{mm}$ UNLESS OTHERWISE SPECIFIED

GENERAL:

Flameproof Integral LED Well Glass luminaire comprises of die cast aluminium housing, with toughened glass is cemented into a retaining ring. This luminaire is recommended for illuminating Hazardous Area Gas group IIA and IIB and IIC Zone 1 & 2.

PRODUCT DESCRIPTION	**NOMINAL WATTAGE (W)	CCT (K)	CRI	VOLTAGE (V)	**MAINS CURRENT (A)	*APPROX WT (KG)
FWL1318-40-CDL-M	40	5700	70	240	0.175	3

*ONLY FOR STRUCTURAL/MOUNTING DESIGN CONSIDERATION

**RATED SYSTEM WATTAGE AND CURRENT WILL HAVE TOLERANCE AS PER IS 16104: 2012

TITLE: LED FLP Well Glass	TYPE: FWL1318 SERIES	CUSTOMER REFERENCE:	STAMP:
PREPARED BY: Riteshkumar Doshi	CHECKED BY: Ganesh.dhuri	APPROVED BY: Ganesh.dhuri	

Note: 1 AS EFFORTS ARE ON CONSTANTLY TO IMPROVE THE DESIGN AND METHODS OF MANUFACTURE OF THE PRODUCT, THE PRODUCT SUPPLIED MAY DIFFER IN DETAIL FROM THE DATA GIVEN HERE IN

2. THIS DRAWING & DESIGN IS THE PROPERTY OF CROMPTON GREAVES CONSUMER ELECTRICALS LTD. AND MUST NOT BE COPIED OR LENT WITHOUT THEIR PERMISSION IN WRITING

3. THE "APPROVED" INDICATED THAT IT IS A CONTROL COPY

4. DIMENSION SHOWN ARE FOR INSTALLATION REFERENCE ONLY AND IN MM WITH TOLERANCE OF +/-3mm UNLESS OTHERWISE SPECIFIED



Crompton Greaves Consumer
Electricals Ltd.

TECHNICAL DATA SHEET

FORM No. DSG/FR/08

Doc Classification:
Restricted-4

Division:
Lighting

Department: Design
and Development

Document Number: TD 0918034

Revision: R00

Date: 01/07/2022

Page 2 of 3

Issue No. 1

Issue Date:02-05-2018

MATERIAL SPECIFICATIONS:

LED Housing	Die cast Aluminium powder coating in 631 IS-5 in matt finish
Ring	Die cast Aluminium powder coating in 631 IS-5 in matt finish
Glass	Toughened and Heat resistance flat Glass
Mains Terminal	2 way 15 amps suitable for terminating max. 6 sq mm incoming cable
Hardware	SS
Internal Wiring	PVC coated multistrand cable
Earthing	1 No. internal and 2 Nos. external screw of size M6x12mm screw with washer
Surge Arrestor	4 KV Inbuilt in driver and 10KV External inside housing.
Gas Group	Group IIA & IIB & IIC
Conforming to Standard	IS/IEC 60079-1-2014
CIMFR Certificate No	IN/CIMFR/TR22/P/1487

ELECTRICAL PARAMETERS:

Rated Voltage (V)	240
Frequency (Hz)	50 ±3
Operating Voltage Range (V)	140-270
Current (A) @ 240V	0.175
Wattage (W) @240V	40
P.F.	> 0.95
I THD	< 10%
Lumen	EFFICACY >100 Lumens/Watt

TITLE: LED FLP Well Glass	TYPE: FWL1318 SERIES	CUSTOMER REFERENCE:	STAMP:
PREPARED BY Riteshkumar Doshi	CHECKED BY Ganesh.dhuri	APPROVED BY Ganesh.dhuri	

- Note: 1 AS EFFORTS ARE ON CONSTANTLY TO IMPROVE THE DESIGN AND METHODS OF MANUFACTURE OF THE PRODUCT, THE PRODUCT SUPPLIED MAY DIFFER IN DETAIL FROM THE DATA GIVEN HERE IN
2. THIS DRAWING & DESIGN IS THE PROPERTY OF CROMPTON GREAVES CONSUMER ELECTRICALS LTD. AND MUST NOT BE COPIED OR LENT WITHOUT THEIR PERMISSION IN WRITING
- 3.THE "APPROVED" INDICATED THAT IT IS A CONTROL COPY
4. DIMENSION SHOWN ARE FOR INSTALLATION REFERENCE ONLY AND IN MM WITH TOLERANCE OF +/-3mm UNLESS OTHERWISE SPECIFIED



Crompton Greaves Consumer
Electricals Ltd.

TECHNICAL DATA SHEET

FORM No. DSG/FR/08

Doc Classification:
Restricted-4

Division:
Lighting

Department: Design
and Development

Document Number: TD 0918034

Revision: R00

Date: 01/07/2022

Page 3 of 3

Issue No. 1

Issue Date:02-05-2018

INSTALLATION:

Cable Entry	1 Nos of hole with M20X1.5 threads covered with temporary PVC plug provided
Mounting System	Bracket provided for standard surface mounting
Degree of Protection	EX 'd' & IP66
Area of Classification	Zone 1 & 2

PRODUCT ORDERING CODE:

Product Description	Ordering Code
FWL1318-40-CDL-M	LI302001-A2
Cable Gland need to order Separately Cat ref - FG001	

SPARES ORDERING REFERENCE:

Product Description	Driver	Glass with Ring		
FWL1318-40-CDL-M	S0DVEL-45W-700	GL-FWL1318-IIC		

TITLE: LED FLP Well Glass	TYPE: FWL1318 SERIES	CUSTOMER REFERENCE:	STAMP:
PREPARED BY Riteshkumar Doshi	CHECKED BY Ganesh.dhuri	APPROVED BY Ganesh.dhuri	

- Note: 1 AS EFFORTS ARE ON CONSTANTLY TO IMPROVE THE DESIGN AND METHODS OF MANUFACTURE OF THE PRODUCT, THE PRODUCT SUPPLIED MAY DIFFER IN DETAIL FROM THE DATA GIVEN HERE IN
2. THIS DRAWING & DESIGN IS THE PROPERTY OF CROMPTON GREAVES CONSUMER ELECTRICALS LTD. AND MUST NOT BE COPIED OR LENT WITHOUT THEIR PERMISSION IN WRITING
- 3.THE "APPROVED" INDICATED THAT IT IS A CONTROL COPY
4. DIMENSION SHOWN ARE FOR INSTALLATION REFERENCE ONLY AND IN MM WITH TOLERANCE OF +/-3mm UNLESS OTHERWISE SPECIFIED