

TECHNICAL DATA SHEET

Division:
Lighting

Department: Design
and Development

Document Number: TD 0907292

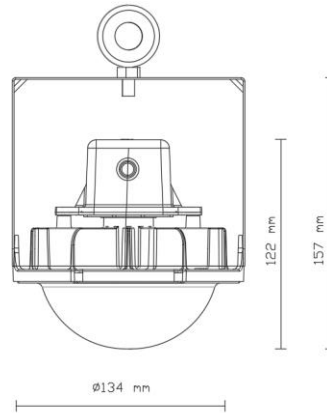
Revision: R02

Date: 12/10/2023

Page 1 of 3

Issue No. 1

Issue Date:02-05-2018



DIMENSIONS SHOWN ARE FOR INSTALLATION REFERENCES ONLY AND WILL HAVE TOLERANCE ± 3 mm UNLESS OTHERWISE SPECIFIED

GENERAL:

This integrated LED Well glass luminaire comprises of die cast canopy, control gear housing and PC Clear Cover. This is recommended to be used in cement plants, power plants, steel plants, material handling plants and outdoor/semi outdoor areas.

PRODUCT DESCRIPTION	**NOMINAL WATTAGE (W)	CCT (K)	CRI	VOLTAGE (V)	**MAINS CURRENT (A)	*APPROX WT (KG)
CIP-312-35-57-SL-CP-NBK	35	5700 ANSI	70	240	0.153	0.735
Efficacy > 120LPW						

*ONLY FOR STRUCTURAL/MOUNTING DESIGN CONSIDERATION

**RATED SYSTEM WATTAGE AND CURRENT WILL HAVE TOLERANCE AS PER IS 16104: 2012

TITLE: LED Well Glass	TYPE: Industrial Lighting	CUSTOMER REFERENCE:	STAMP: (Master Copy) Approved
PREPARED BY Riteshkumar.doshi	CHECKED BY Ganesh.dhuri	APPROVED BY Ganesh.dhuri	

- Note: 1 AS EFFORTS ARE ON CONSTANTLY TO IMPROVE THE DESIGN AND METHODS OF MANUFACTURE OF THE PRODUCT, THE PRODUCT SUPPLIED MAY DIFFER IN DETAIL FROM THE DATA GIVEN HERE IN
2. THIS DRAWING & DESIGN IS THE PROPERTY OF CROMPTON GREAVES CONSUMER ELECTRICALS LTD. AND MUST NOT BE COPIED OR LENT WITHOUT THEIR PERMISSION IN WRITING
3. THE "APPROVED" INDICATED THAT IT IS A CONTROL COPY
4. DIMENSION SHOWN ARE FOR INSTALLATION REFERENCE ONLY AND IN MM WITH TOLERANCE OF ± 3 mm UNLESS OTHERWISE SPECIFIED



Crompton Greaves Consumer
Electricals Ltd.

TECHNICAL DATA SHEET

FORM No. DSG/FR/08

Doc Classification:
Restricted-4

Division:
Lighting

Department: Design
and Development

Document Number: TD 0907292

Revision: R02

Date: 12/10/2023

Page 2 of 3

Issue No. 1

Issue Date:02-05-2018

MATERIAL SPECIFICATIONS:

Housing	Pressure die cast Aluminum powder coated in Matt-Black shade
Bowl	Polycarbonate clear Cover
Internal Wiring	PVC Multistrand copper Wire
Cable	2 core PVC Cable
Earthing	1 No. suitable for 14 SWG earthing wire
Surge Arrestor	Inbuilt 4KV in driver

ELECTRICAL PARAMETERS:

Rated Voltage (V)	240
Frequency (Hz)	50 ± 3%
Operating Voltage Range (V)	120-270V
Current (A) @ 240V	0.153
Wattage (W) @240V	35
P.F.	>0.95
I THD	<10

TITLE: LED Well Glass	TYPE: Industrial Lighting	CUSTOMER REFERENCE:	STAMP: (Master Copy) Approved
PREPARED BY Riteshkumar.doshi	CHECKED BY Ganesh.dhuri	APPROVED BY Ganesh.dhuri	

Note: 1 AS EFFORTS ARE ON CONSTANTLY TO IMPROVE THE DESIGN AND METHODS OF MANUFACTURE OF THE PRODUCT, THE PRODUCT SUPPLIED MAY DIFFER IN DETAIL FROM THE DATA GIVEN HERE IN
 2. THIS DRAWING & DESIGN IS THE PROPERTY OF CROMPTON GREAVES CONSUMER ELECTRICALS LTD. AND MUST NOT BE COPIED OR LENT WITHOUT THEIR PERMISSION IN WRITING
 3.THE "APPROVED" INDICATED THAT IT IS A CONTROL COPY
 4. DIMENSION SHOWN ARE FOR INSTALLATION REFERENCE ONLY AND IN MM WITH TOLERANCE OF +/-3mm UNLESS OTHERWISE SPECIFIED



Crompton Greaves Consumer
Electricals Ltd.

TECHNICAL DATA SHEET

FORM No. DSG/FR/08

Doc Classification:
Restricted-4

Division:
Lighting

Department: Design
and Development

Document Number: TD 0907292

Revision: R02

Date: 12/10/2023

Page 3 of 3

Issue No. 1

Issue Date:02-05-2018

INSTALLATION:

Mounting System	Cradle with EYE bolt provided for mounting purpose
Maintenance	Driver can be replaced for maintenance
Protection	IP 66

PRODUCT ORDERING CODE:

Product Description	Ordering Code
CIP-312-35-57-SL-CP-NBK	CLI300400-A2

SPARES ORDERING REFERENCE:

Product Description	Driver	Cover		
CIP-312-35-57-SL-CP-NBK	35W @ 700 mA	S0414033		

TITLE: LED Well Glass	TYPE: Industrial Lighting	CUSTOMER REFERENCE:	STAMP: (Master Copy) Approved
PREPARED BY Riteshkumar.doshi	CHECKED BY Ganesh.dhuri	APPROVED BY Ganesh.dhuri	

Note: 1 AS EFFORTS ARE ON CONSTANTLY TO IMPROVE THE DESIGN AND METHODS OF MANUFACTURE OF THE PRODUCT, THE PRODUCT SUPPLIED MAY DIFFER IN DETAIL FROM THE DATA GIVEN HERE IN
 2. THIS DRAWING & DESIGN IS THE PROPERTY OF CROMPTON GREAVES CONSUMER ELECTRICALS LTD. AND MUST NOT BE COPIED OR LENT WITHOUT THEIR PERMISSION IN WRITING
 3.THE "APPROVED" INDICATED THAT IT IS A CONTROL COPY
 4. DIMENSION SHOWN ARE FOR INSTALLATION REFERENCE ONLY AND IN MM WITH TOLERANCE OF +/-3mm UNLESS OTHERWISE SPECIFIED