

TECHNICAL DATA SHEET

Division:
Lighting

Department: Design
and Development

Document Number: TD 0907376

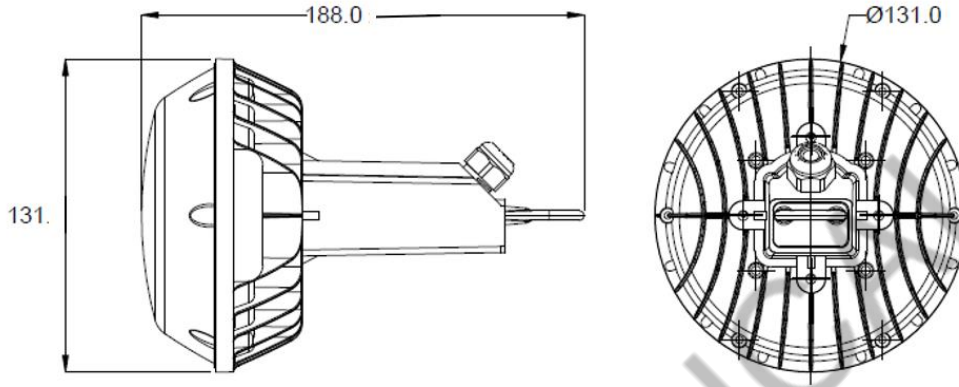
Revision:R00

Date: 09/12/2024

Page 1 of 3

Issue No. 1

Issue Date:02-05-2018



DIMENSIONS SHOWN ARE FOR INSTALLATION REFERENCES ONLY AND WILL HAVE TOLERANCE $\pm 3\text{mm}$ UNLESS OTHERWISE SPECIFIED

GENERAL:

--

PRODUCT DESCRIPTION	**NOMINAL WATTAGE (W)	CCT (K)	CRI	VOLTAGE (V)	**MAINS CURRENT (A)	*APPROX WT (KG) $\pm 10\%$
EIP-315-35-57-HL2-CP-NSG	35W	5700 ANSI	70 min	240	0.170	0.515
EIP-315-35-30-HL2-CP-NSG	35W	3000 ANSI	70 min	240	0.170	0.515
Efficacy ≥ 120 LPW						

*ONLY FOR STRUCTURAL/MOUNTING DESIGN CONSIDERATION

**RATED SYSTEM WATTAGE AND CURRENT WILL HAVE TOLERANCE AS PER IS 16104: 2012

TITLE: LED WELL GLASS 35W	TYPE: Industrial Lighting	CUSTOMER REFERENCE:	STAMP: (Master Copy) Approved
PREPARED BY riteshkumar.doshi	CHECKED BY Ganesh.dhuri	APPROVED BY Ganesh.dhuri	

- Note: 1 AS EFFORTS ARE ON CONSTANTLY TO IMPROVE THE DESIGN AND METHODS OF MANUFACTURE OF THE PRODUCT, THE PRODUCT SUPPLIED MAY DIFFER IN DETAIL FROM THE DATA GIVEN HERE IN
2. THIS DRAWING & DESIGN IS THE PROPERTY OF CROMPTON GREAVES CONSUMER ELECTRICALS LTD. AND MUST NOT BE COPIED OR LENT WITHOUT THEIR PERMISSION IN WRITING
3. THE "APPROVED" INDICATED THAT IT IS A CONTROL COPY
4. DIMENSION SHOWN ARE FOR INSTALLATION REFERENCE ONLY AND IN MM WITH TOLERANCE OF $\pm 3\text{mm}$ UNLESS OTHERWISE SPECIFIED



Crompton Greaves Consumer
Electricals Ltd.

TECHNICAL DATA SHEET

FORM No. DSG/FR/08

Doc Classification:
Restricted-4

Division:
Lighting

Department: Design
and Development

Document Number: TD 0907376

Revision:R00

Date: 09/12/2024

Page 2 of 3

Issue No. 1

Issue Date:02-05-2018

MATERIAL SPECIFICATIONS:

Housing	Pressure die cast Aluminum powder coated in RAL-7032
Diffuser	PC CLEAR
Internal Wiring	Multistrand copper wire
Cable	3 Core PVC coated multistrand copper conductor cable
Surge Arrestor	5KV inbuilt in driver

ELECTRICAL PARAMETERS:

Rated Voltage (V)	240
Frequency (Hz)	50 ± 3%
Operating Voltage Range (V)	140-300V
Current (A) @ 240V	0.170
Wattage (W) @240V	35W
P.F.	> 0.95
I THD	<10

TITLE: LED WELL GLASS 35W	TYPE: Industrial Lighting	CUSTOMER REFERENCE:	STAMP: (Master Copy) Approved
PREPARED BY riteshkumar.doshi	CHECKED BY Ganesh.dhuri	APPROVED BY Ganesh.dhuri	

- Note: 1 AS EFFORTS ARE ON CONSTANTLY TO IMPROVE THE DESIGN AND METHODS OF MANUFACTURE OF THE PRODUCT, THE PRODUCT SUPPLIED MAY DIFFER IN DETAIL FROM THE DATA GIVEN HERE IN
2. THIS DRAWING & DESIGN IS THE PROPERTY OF CROMPTON GREAVES CONSUMER ELECTRICALS LTD. AND MUST NOT BE COPIED OR LENT WITHOUT THEIR PERMISSION IN WRITING
- 3.THE "APPROVED" INDICATED THAT IT IS A CONTROL COPY
4. DIMENSION SHOWN ARE FOR INSTALLATION REFERENCE ONLY AND IN MM WITH TOLERANCE OF +/-3mm UNLESS OTHERWISE SPECIFIED



Crompton Greaves Consumer
Electricals Ltd.

TECHNICAL DATA SHEET

FORM No. DSG/FR/08

Doc Classification:
Restricted-4

Division:
Lighting

Department: Design
and Development

Document Number: TD 0907376

Revision:R00

Date: 09/12/2024

Page 3 of 3

Issue No. 1

Issue Date:02-05-2018

INSTALLATION:

Mounting System	EYE bolt provided for mounting purpose
Maintenance	Driver can be replaced for maintenance
Protection	IP 66

PRODUCT ORDERING CODE:

Product Description	Ordering Code
EIP-315-35-57-HL2-CP-NSG	ELI300003-M2
EIP-315-35-30-HL2-CP-NSG	ELI300004-M2

SPARES ORDERING REFERENCE:

Product Description	Driver			
EIP-315-35-57-HL2-CP-NSG	35W @750mA	RM-WG-00500003		
EIP-315-35-30-HL2-CP-NSG	35W @750mA	RM-WG-00500003		

TITLE: LED WELL GLASS 35W	TYPE: Industrial Lighting	CUSTOMER REFERENCE:	STAMP: (Master Copy) Approved
PREPARED BY riteshkumar.doshi	CHECKED BY Ganesh.dhuri	APPROVED BY Ganesh.dhuri	

Note: 1 AS EFFORTS ARE ON CONSTANTLY TO IMPROVE THE DESIGN AND METHODS OF MANUFACTURE OF THE PRODUCT, THE PRODUCT SUPPLIED MAY DIFFER IN DETAIL FROM THE DATA GIVEN HERE IN
 2. THIS DRAWING & DESIGN IS THE PROPERTY OF CROMPTON GREAVES CONSUMER ELECTRICALS LTD. AND MUST NOT BE COPIED OR LENT WITHOUT THEIR PERMISSION IN WRITING
 3.THE "APPROVED" INDICATED THAT IT IS A CONTROL COPY
 4. DIMENSION SHOWN ARE FOR INSTALLATION REFERENCE ONLY AND IN MM WITH TOLERANCE OF +/-3mm UNLESS OTHERWISE SPECIFIED