

# TECHNICAL DATA SHEET

**Division:**  
Lighting

**Department:** Design  
and Development

**Document Number:** TD0901381

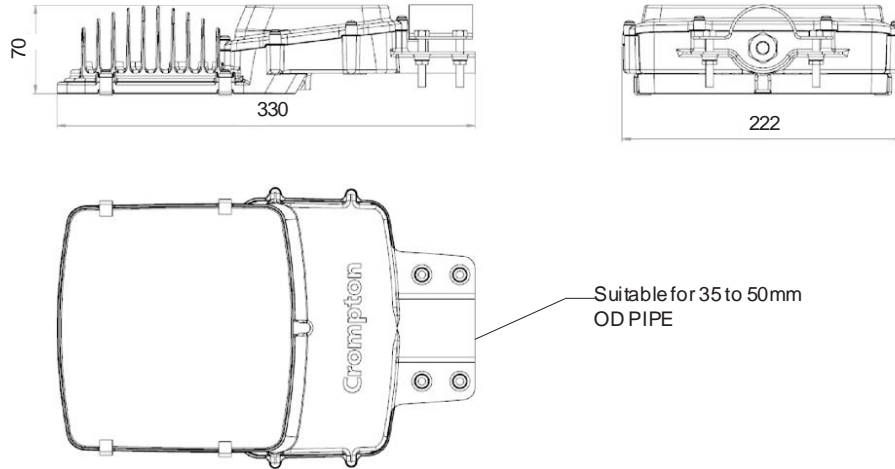
Page 1 of 3

Revision: R00

Issue No. 1

Date: 12/11/2022

Issue Date:02-05-2018



DIMENSIONS SHOWN ARE FOR INSTALLATION REFERENCES ONLY AND WILL HAVE TOLERANCE  $\pm 3\text{mm}$  UNLESS OTHERWISE SPECIFIED

## GENERAL:

This streetlight luminaire comprises of Pressure die cast Aluminium housing and toughened glass. This luminaire is recommended for illuminating access roads, garden ways, small streets. Etc.

PRODUCT DESCRIPTION	**NOMINAL WATTAGE (W)	CCT (K)	CRI	VOLTAGE (V)	**MAINS CURRENT (A)	*APPROX WT (KG)
CRP-411-100-57-SL-GL-NSG	100	5700	70	240	0.438	2.70
Efficacy > 110 LPW						

\*ONLY FOR STRUCTURAL/MOUNTING DESIGN CONSIDERATION

\*\*RATED SYSTEM WATTAGE AND CURRENT WILL HAVE TOLERANCE AS PER IS 16104: 2012

TITLE: 100W LED STREETLIGHT	TYPE: Street Lighting	CUSTOMER REFERENCE:	STAMP: <b>(Master Copy) Approved</b>
PREPARED BY Riteshkumar.doshi	CHECKED BY Ganesh.dhuri	APPROVED BY Ganesh.dhuri	

- Note: 1 AS EFFORTS ARE ON CONSTANTLY TO IMPROVE THE DESIGN AND METHODS OF MANUFACTURE OF THE PRODUCT, THE PRODUCT SUPPLIED MAY DIFFER IN DETAIL FROM THE DATA GIVEN HERE IN
2. THIS DRAWING & DESIGN IS THE PROPERTY OF CROMPTON GREAVES CONSUMER ELECTRICALS LTD. AND MUST NOT BE COPIED OR LENT WITHOUT THEIR PERMISSION IN WRITING
3. THE "APPROVED" INDICATED THAT IT IS A CONTROL COPY
4. DIMENSION SHOWN ARE FOR INSTALLATION REFERENCE ONLY AND IN MM WITH TOLERANCE OF  $\pm 3\text{mm}$  UNLESS OTHERWISE SPECIFIED



Crompton Greaves Consumer  
Electricals Ltd.

# TECHNICAL DATA SHEET

FORM No. DSG/FR/08

Doc Classification:  
Restricted-4

Division:  
Lighting

Department: Design  
and Development

Document Number: TD0901381

Revision: R00

Date: 12/11/2022

Page 2 of 3

Issue No. 1

Issue Date:02-05-2018

## MATERIAL SPECIFICATIONS:

Housing	Pressure die cast Aluminium powder coated in RAL-7032
Glass	Heat resistant toughened glass
Internal wiring	PVC coated multistrand wire
Cable	3 core x 1sq mm PVC coated flexible cable
Surge Arrestor	10KV,440V

## ELECTRICAL PARAMETERS:

Rated Voltage (V)	240
Frequency (Hz)	50 ±3
Operating Voltage Range (V)	120-277~
Current (A) @ 240V	0.438
Wattage (W) @240V	100
P.F.	≥ 0.95
I THD	10%

TITLE: 100W LED STREETLIGHT	TYPE: Street Lighting	CUSTOMER REFERENCE:	STAMP: <b>(Master Copy) Approved</b>
PREPARED BY Riteshkumar.doshi	CHECKED BY Ganesh.dhuri	APPROVED BY Ganesh.dhuri	

Note: 1 AS EFFORTS ARE ON CONSTANTLY TO IMPROVE THE DESIGN AND METHODS OF MANUFACTURE OF THE PRODUCT, THE PRODUCT SUPPLIED MAY DIFFER IN DETAIL FROM THE DATA GIVEN HERE IN  
 2. THIS DRAWING & DESIGN IS THE PROPERTY OF CROMPTON GREAVES CONSUMER ELECTRICALS LTD. AND MUST NOT BE COPIED OR LENT WITHOUT THEIR PERMISSION IN WRITING  
 3.THE "APPROVED" INDICATED THAT IT IS A CONTROL COPY  
 4. DIMENSION SHOWN ARE FOR INSTALLATION REFERENCE ONLY AND IN MM WITH TOLERANCE OF +/-3mm UNLESS OTHERWISE SPECIFIED



Crompton Greaves Consumer  
Electricals Ltd.

# TECHNICAL DATA SHEET

FORM No. DSG/FR/08

Doc Classification:  
Restricted-4

Division:  
Lighting

Department: Design  
and Development

Document Number: TD0901381

Revision: R00

Date: 12/11/2022

Page 3 of 3

Issue No. 1

Issue Date:02-05-2018

## INSTALLATION:

Cable Entry	Through mounting pipe
Mounting System	Suitable for 35 to 50mm max O.D. pipe
Protection	IP66

## PRODUCT ORDERING CODE:

Product Description	Ordering Code
CRP-411-100-57-SL-GL-NSG	CLR400861-A2

## SPARES ORDERING REFERENCE:

Product Description	Driver	Surge Arrestor	Glass	
CRP-411-100-57-SL-GL-NSG	100W @ 700mA S0DVEL-100W-700	SRPSQ-10KV-440V-E1 OR SRPSEX-10KV-440V OR SRPSJ-10KV-440V	S0909174	

TITLE: 100W LED STREETLIGHT	TYPE: Street Lighting	CUSTOMER REFERENCE:	STAMP: <b>(Master Copy) Approved</b>
PREPARED BY Riteshkumar.doshi	CHECKED BY Ganesh.dhuri	APPROVED BY Ganesh.dhuri	

Note: 1 AS EFFORTS ARE ON CONSTANTLY TO IMPROVE THE DESIGN AND METHODS OF MANUFACTURE OF THE PRODUCT, THE PRODUCT SUPPLIED MAY DIFFER IN DETAIL FROM THE DATA GIVEN HERE IN  
 2. THIS DRAWING & DESIGN IS THE PROPERTY OF CROMPTON GREAVES CONSUMER ELECTRICALS LTD. AND MUST NOT BE COPIED OR LENT WITHOUT THEIR PERMISSION IN WRITING  
 3. THE "APPROVED" INDICATED THAT IT IS A CONTROL COPY  
 4. DIMENSION SHOWN ARE FOR INSTALLATION REFERENCE ONLY AND IN MM WITH TOLERANCE OF +/-3mm UNLESS OTHERWISE SPECIFIED