

Division:  
LightingDepartment: Design  
and Development

Document Number: TD 0907315

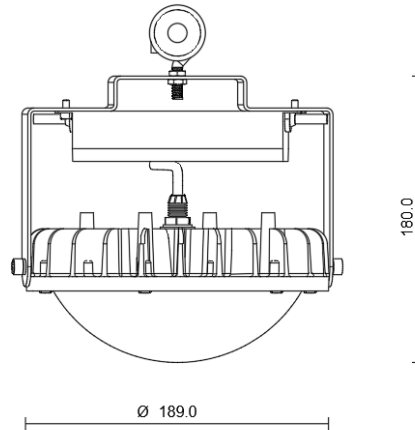
Revision: R01

Date: 14/02/2024

Page 1 of 3

Issue No. 1

Issue Date:02-05-2018

DIMENSIONS SHOWN ARE FOR INSTALLATION REFERENCES ONLY AND WILL HAVE TOLERANCE  $\pm 3$ mm UNLESS OTHERWISE SPECIFIED**GENERAL:**

--.

PRODUCT DESCRIPTION	**NOMINAL WATTAGE (W)	CCT (K)	CRI	VOLTAGE (V)	**MAINS CURRENT (A)	*APPROX WT (KG)
TIP-314-70-57-SL-CP-NSG	70	5700 ANSI	70 min	240	0.310	1.6
Efficacy $\geq 120$ LPW						

\*ONLY FOR STRUCTURAL/MOUNTING DESIGN CONSIDERATION

\*\*RATED SYSTEM WATTAGE AND CURRENT WILL HAVE TOLERANCE AS PER IS 16104: 2012

TITLE: LED Well Glass	TYPE: Industrial Lighting	CUSTOMER REFERENCE:	STAMP: <b>(Master Copy) Approved</b>
PREPARED BY Riteshkumar.doshi	CHECKED BY Ganesh.dhuri	APPROVED BY Ganesh.dhuri	

Note: 1 AS EFFORTS ARE ON CONSTANTLY TO IMPROVE THE DESIGN AND METHODS OF MANUFACTURE OF THE PRODUCT, THE PRODUCT SUPPLIED MAY DIFFER IN DETAIL FROM THE DATA GIVEN HERE IN

2. THIS DRAWING &amp; DESIGN IS THE PROPERTY OF CROMPTON GREAVES CONSUMER ELECTRICALS LTD. AND MUST NOT BE COPIED OR LENT WITHOUT THEIR PERMISSION IN WRITING

3. THE "APPROVED" INDICATED THAT IT IS A CONTROL COPY

4. DIMENSION SHOWN ARE FOR INSTALLATION REFERENCE ONLY AND IN MM WITH TOLERANCE OF  $\pm 3$ mm UNLESS OTHERWISE SPECIFIED



Crompton Greaves Consumer  
Electricals Ltd.

# TECHNICAL DATA SHEET

FORM No. DSG/FR/08

Doc Classification:  
Restricted-4

Division:  
Lighting

Department: Design  
and Development

Document Number: TD 0907315

Revision: R01

Date: 14/02/2024

Page 2 of 3

Issue No. 1

Issue Date:02-05-2018

## MATERIAL SPECIFICATIONS:

Canopy	Pressure die cast Aluminium powder coated in RAL-7032 shade
CG housing	Pressure die cast Aluminium powder coated in RAL-7032 shade
Bowl	Polycarbonate clear
Internal Wiring	PVC coated multistrand
Cable	3 Core PVC
Earthing	1 No. suitable for 14SWG earthing wire
Mains Terminal	5 way 10 amps suitable for terminating max.2.5 sq mm incoming cable
Surge Arrestor	5KV inbuilt in driver

## ELECTRICAL PARAMETERS:

Rated Voltage (V)	240
Frequency (Hz)	50 ± 3%
Operating Voltage Range (V)	120-270V
Current (A) @ 240V	0.310
Wattage (W) @240V	35
P.F.	>0.95
I THD	<10

TITLE: LED Well Glass	TYPE: Industrial Lighting	CUSTOMER REFERENCE:	STAMP: <b>(Master Copy) Approved</b>
PREPARED BY Riteshkumar.doshi	CHECKED BY Ganesh.dhuri	APPROVED BY Ganesh.dhuri	

Note: 1 AS EFFORTS ARE ON CONSTANTLY TO IMPROVE THE DESIGN AND METHODS OF MANUFACTURE OF THE PRODUCT, THE PRODUCT SUPPLIED MAY DIFFER IN DETAIL FROM THE DATA GIVEN HERE IN  
 2. THIS DRAWING & DESIGN IS THE PROPERTY OF CROMPTON GREAVES CONSUMER ELECTRICALS LTD. AND MUST NOT BE COPIED OR LENT WITHOUT THEIR PERMISSION IN WRITING  
 3.THE "APPROVED" INDICATED THAT IT IS A CONTROL COPY  
 4. DIMENSION SHOWN ARE FOR INSTALLATION REFERENCE ONLY AND IN MM WITH TOLERANCE OF +/-3mm UNLESS OTHERWISE SPECIFIED



Crompton Greaves Consumer  
Electricals Ltd.

# TECHNICAL DATA SHEET

FORM No. DSG/FR/08

Doc Classification:  
Restricted-4

Division:  
Lighting

Department: Design  
and Development

Document Number: TD 0907315

Revision: R01

Date: 14/02/2024

Page 3 of 3

Issue No. 1

Issue Date:02-05-2018

## INSTALLATION:

Mounting System	Cradle with EYE bolt provided for mounting purpose
Maintenance	Driver can be replaced for maintenance
Protection	IP 66

## PRODUCT ORDERING CODE:

Product Description	Ordering Code
TIP-314-70-57-SL-CP-NSG	TLI300105-M2

## SPARES ORDERING REFERENCE:

Product Description	Driver			
TIP-314-70-57-SL-CP-NSG	S0DVEXC4-75W-CABLE	S091102010000		

TITLE: LED Well Glass	TYPE: Industrial Lighting	CUSTOMER REFERENCE:	STAMP: <b>(Master Copy) Approved</b>
PREPARED BY Riteshkumar.doshi	CHECKED BY Ganesh.dhuri	APPROVED BY Ganesh.dhuri	

Note: 1 AS EFFORTS ARE ON CONSTANTLY TO IMPROVE THE DESIGN AND METHODS OF MANUFACTURE OF THE PRODUCT, THE PRODUCT SUPPLIED MAY DIFFER IN DETAIL FROM THE DATA GIVEN HERE IN  
 2. THIS DRAWING & DESIGN IS THE PROPERTY OF CROMPTON GREAVES CONSUMER ELECTRICALS LTD. AND MUST NOT BE COPIED OR LENT WITHOUT THEIR PERMISSION IN WRITING  
 3.THE "APPROVED" INDICATED THAT IT IS A CONTROL COPY  
 4. DIMENSION SHOWN ARE FOR INSTALLATION REFERENCE ONLY AND IN MM WITH TOLERANCE OF +/-3mm UNLESS OTHERWISE SPECIFIED