



Crompton Greaves Consumer
Electricals Ltd.

TECHNICAL DATA SHEET

FORM No. DSG/FR/08

Doc Classification:
Restricted-4

Division:
Lighting

Department: Design
and Development

Document Number: TD 0907247

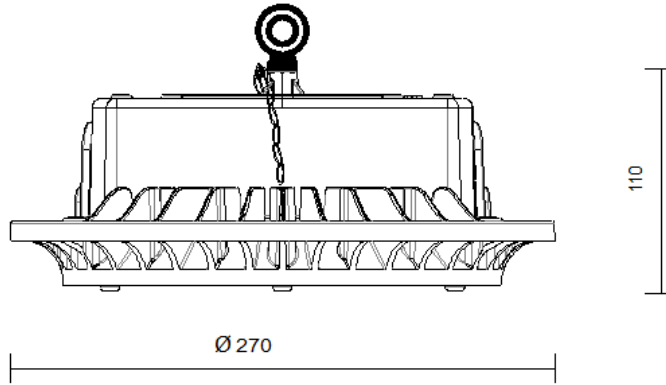
Revision: R00

Date:01/04/2021

Page 1 of 3

Issue No. 1

Issue Date:02-05-2018



DIMENSIONS SHOWN ARE FOR INSTALLATION REFERENCES ONLY AND WILL HAVE TOLERANCE $\pm 3\text{mm}$ UNLESS OTHERWISE SPECIFIED

GENERAL:

This Integral LED High bay luminaire comprises of heatsink, clear glass, control gear with accessories. This is recommended to be used in engineering industries where mounting height is above 6.0Mts.

PRODUCT DESCRIPTION	**NOMINAL WATTAGE (W)	CCT (K)	CRI	VOLTAGE (V)	**MAINS CURRENT (A)	*APPROX WT (KG)
TIP-320-80-57-SL-GL-NSG	80	5700	70	240	0.350	2.5

*ONLY FOR STRUCTURAL/MOUNTING DESIGN CONSIDERATION

**RATED SYSTEM WATTAGE AND CURRENT WILL HAVE TOLERANCE AS PER IS 16104: 2012

Title: LED HIGH BAY	Type: TIP-320	Customer Reference:
Product Description:		

PREPARED BY riteshkumar.doshi	CHECKED BY -	APPROVED BY -
---	------------------------	-------------------------

- Note: 1 AS EFFORTS ARE ON CONSTANTLY TO IMPROVE THE DESIGN AND METHODS OF MANUFACTURE OF THE PRODUCT, THE PRODUCT SUPPLIED MAY DIFFER IN DETAIL FROM THE DATA GIVEN HERE IN
2. THIS DRAWING & DESIGN IS THE PROPERTY OF CROMPTON GREAVES CONSUMER ELECTRICALS LTD. AND MUST NOT BE COPIED OR LENT WITHOUT THEIR PERMISSION IN WRITING
3. THE "APPROVED" INDICATED THAT IT IS A CONTROL COPY
4. DIMENSION SHOWN ARE FOR INSTALLATION REFERENCE ONLY AND IN MM WITH TOLERANCE OF $\pm 3\text{mm}$ UNLESS OTHERWISE SPECIFIED



Crompton Greaves Consumer
Electricals Ltd.

TECHNICAL DATA SHEET

FORM No. DSG/FR/08

Doc Classification:
Restricted-4

Division:
Lighting

Department: Design
and Development

Document Number: TD 0907247

Revision: R00

Date:01/04/2021

Page 2 of 3

Issue No. 1

Issue Date:02-05-2018

MATERIAL SPECIFICATIONS:

LED Housing	Die cast Aluminium powder coated in RAL-7032 shade.
CG Housing	Die cast Aluminium powder coated in RAL-7032 shade.
Glass	Clear Heat resistant toughened glass.
Internal Wiring	PVC coated multistrand cable
Mains Terminal	5 way 10 amps suitable for terminating max. 2.5 sq mm incoming cable
Earthing	Suitable for 14 SWG earthing wire.
Cable	3 core 1sq mm PVC coated multistrand cable
Chain	Safety chain 1no External
Surge Arrestor	1 No. 10KV, 440

ELECTRICAL PARAMETERS:

Rated Voltage (V)	240
Frequency (Hz)	50 ±3
Operating Voltage Range (V)	120-277
Current (A) @ 240V	0.350
Wattage (W) @240V	80
P.F.	> 0.95
I THD	< 10%
Lumen	EFFICACY >110 Lumens/Watt

PREPARED BY
riteshkumar.doshi

CHECKED BY
-

APPROVED BY
-

Note: 1 AS EFFORTS ARE ON CONSTANTLY TO IMPROVE THE DESIGN AND METHODS OF MANUFACTURE OF THE PRODUCT, THE PRODUCT SUPPLIED MAY DIFFER IN DETAIL FROM THE DATA GIVEN HERE IN

2. THIS DRAWING & DESIGN IS THE PROPERTY OF CROMPTON GREAVES CONSUMER ELECTRICALS LTD. AND MUST NOT BE COPIED OR LENT WITHOUT THEIR PERMISSION IN WRITING

3. THE "APPROVED" INDICATED THAT IT IS A CONTROL COPY

4. DIMENSION SHOWN ARE FOR INSTALLATION REFERENCE ONLY AND IN MM WITH TOLERANCE OF +/-3mm UNLESS OTHERWISE SPECIFIED



Crompton Greaves Consumer
Electricals Ltd.

TECHNICAL DATA SHEET

FORM No. DSG/FR/08

Doc Classification:
Restricted-4

Division:
Lighting

Department: Design
and Development

Document Number: TD 0907247

Revision: R00

Date:01/04/2021

Page 3 of 3

Issue No. 1

Issue Date:02-05-2018

INSTALLATION:

Cable Entry	Through PG9 Cable Gland
Mounting System	EYE bolt mounting.
Maintenance	Cover of CG Housing can be removed for accessories maintenance
Protection	IP 66

PRODUCT ORDERING CODE:

Product Description	Ordering Code
TIP-320-80-57-SL-GL-NSG	TLI300400-A2

SPARES ORDERING REFERENCE:

Product Description	Driver	Surge Arrestor		
TIP-320-80-57-SL-GL-NSG	S0DVEXC4-75W/700	SRPSQ-10KV-5KA-440V or SRPSEX-10KV-440V		

PREPARED BY
riteshkumar.doshi

CHECKED BY
-

APPROVED BY
-

Note: 1 AS EFFORTS ARE ON CONSTANTLY TO IMPROVE THE DESIGN AND METHODS OF MANUFACTURE OF THE PRODUCT, THE PRODUCT SUPPLIED MAY DIFFER IN DETAIL FROM THE DATA GIVEN HERE IN
2. THIS DRAWING & DESIGN IS THE PROPERTY OF CROMPTON GREAVES CONSUMER ELECTRICALS LTD. AND MUST NOT BE COPIED OR LENT WITHOUT THEIR PERMISSION IN WRITING
3.THE "APPROVED" INDICATED THAT IT IS A CONTROL COPY
4. DIMENSION SHOWN ARE FOR INSTALLATION REFERENCE ONLY AND IN MM WITH TOLERANCE OF +/-3mm UNLESS OTHERWISE SPECIFIED