

# TECHNICAL DATA SHEET

**Division:**  
Lighting

**Department:** Design  
and Development

**Document Number:** CTD0907793

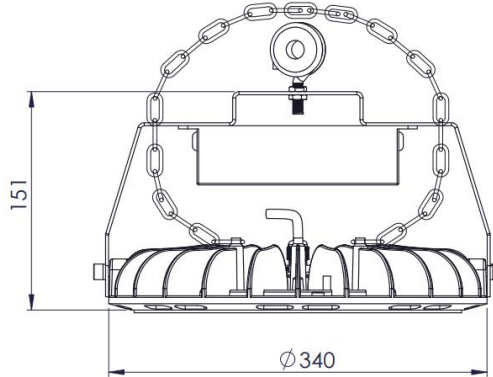
Revision: R00

Date: 02/08/2024

Page 1 of 3

Issue No. 1

Issue Date:02-05-2018



DIMENSIONS SHOWN ARE FOR INSTALLATION REFERENCES ONLY AND WILL HAVE TOLERANCE ±3mm UNLESS OTHERWISE SPECIFIED

## GENERAL:

--

PRODUCT DESCRIPTION	**NOMINAL WATTAGE (W)	CCT (K)	CRI	VOLTAGE (V)	**MAINS CURRENT (A)	*APPROX WT (KG)
CIP-332-200-57-60D-HL2-NS-LM-NGG	200	5700 ANSI	70 min	240	0.877	3.6
Efficacy ≥ 120LPW						

\*ONLY FOR STRUCTURAL/MOUNTING DESIGN CONSIDERATION

\*\*RATED SYSTEM WATTAGE AND CURRENT WILL HAVE TOLERANCE AS PER IS 16104: 2012

TITLE: LED High bay	TYPE: Industrial Lighting	CUSTOMER REFERENCE:	STAMP: <b>(Master Copy) Approved</b>
PREPARED BY riteshkumar.doshi	CHECKED BY Ganesh.dhuri	APPROVED BY Ganesh.dhuri	

- Note: 1 AS EFFORTS ARE ON CONSTANTLY TO IMPROVE THE DESIGN AND METHODS OF MANUFACTURE OF THE PRODUCT, THE PRODUCT SUPPLIED MAY DIFFER IN DETAIL FROM THE DATA GIVEN HERE IN
2. THIS DRAWING & DESIGN IS THE PROPERTY OF CROMPTON GREAVES CONSUMER ELECTRICALS LTD. AND MUST NOT BE COPIED OR LENT WITHOUT THEIR PERMISSION IN WRITING
3. THE "APPROVED" INDICATED THAT IT IS A CONTROL COPY
4. DIMENSION SHOWN ARE FOR INSTALLATION REFERENCE ONLY AND IN MM WITH TOLERANCE OF +/-3mm UNLESS OTHERWISE SPECIFIED



Crompton Greaves Consumer  
Electricals Ltd.

# TECHNICAL DATA SHEET

FORM No. DSG/FR/08

Doc Classification:  
Restricted-4

Division:  
Lighting

Department: Design  
and Development

Document Number: CTD0907793

Revision: R00

Date: 02/08/2024

Page 2 of 3

Issue No. 1

Issue Date:02-05-2018

## MATERIAL SPECIFICATIONS:


Housing	Pressure die cast Aluminum powder coated in RAL-7037
Cover	IP-Lens
Internal Wiring	PVC coated multistrand copper wire
Cable	3 Core PVC coated multistrand copper conductor cable
Earthing	1 No. suitable for 14SWG earthing wire
Mains Terminal	5 way 10 amps suitable for terminating max.2.5 sq mm incoming cable
Surge Arrestor	5KV inbuilt in driver

## ELECTRICAL PARAMETERS:

Rated Voltage (V)	240
Frequency (Hz)	50 ± 3%
Operating Voltage Range (V)	120-270V
Current (A) @ 240V	0.877
Wattage (W) @240V	200
P.F.	> 0.95
I THD	<10

TITLE: LED High bay	TYPE: Industrial Lighting	CUSTOMER REFERENCE:	STAMP: <b>(Master Copy) Approved</b>
PREPARED BY riteshkumar.doshi	CHECKED BY Ganesh.dhuri	APPROVED BY Ganesh.dhuri	

Note: 1 AS EFFORTS ARE ON CONSTANTLY TO IMPROVE THE DESIGN AND METHODS OF MANUFACTURE OF THE PRODUCT, THE PRODUCT SUPPLIED MAY DIFFER IN DETAIL FROM THE DATA GIVEN HERE IN  
 2. THIS DRAWING & DESIGN IS THE PROPERTY OF CROMPTON GREAVES CONSUMER ELECTRICALS LTD. AND MUST NOT BE COPIED OR LENT WITHOUT THEIR PERMISSION IN WRITING  
 3.THE "APPROVED" INDICATED THAT IT IS A CONTROL COPY  
 4. DIMENSION SHOWN ARE FOR INSTALLATION REFERENCE ONLY AND IN MM WITH TOLERANCE OF +/-3mm UNLESS OTHERWISE SPECIFIED

 Crompton Greaves Consumer Electricals Ltd.	<h1>TECHNICAL DATA SHEET</h1>		FORM No. DSG/FR/08	
			Doc Classification: Restricted-4	
	<b>Division:</b> Lighting	<b>Department:</b> Design and Development	Document Number: CTD0907793	Page 3 of 3
			Revision: R00	Issue No. 1
		Date: 02/08/2024	Issue Date:02-05-2018	

INSTALLATION:	
Mounting System	EYE bolt provided for mounting purpose
Maintenance	Driver can be replaced for maintenance
Protection	IP 66

PRODUCT ORDERING CODE:	
Product Description	Ordering Code
CIP-332-200-57-60D-HL2-NS-LM-NGG	CLI301734-M2

SPARES ORDERING REFERENCE:				
Product Description	Driver			
CIP-332-200-57-60D-HL2-NS-LM-NGG	200W@700mA	S0-IPL-200-HB		

TITLE: LED High bay	TYPE: Industrial Lighting	CUSTOMER REFERENCE:	STAMP: <b>(Master Copy) Approved</b>
PREPARED BY riteshkumar.doshi	CHECKED BY Ganesh.dhuri	APPROVED BY Ganesh.dhuri	

Note: 1 AS EFFORTS ARE ON CONSTANTLY TO IMPROVE THE DESIGN AND METHODS OF MANUFACTURE OF THE PRODUCT, THE PRODUCT SUPPLIED MAY DIFFER IN DETAIL FROM THE DATA GIVEN HERE IN  
2. THIS DRAWING & DESIGN IS THE PROPERTY OF CROMPTON GREAVES CONSUMER ELECTRICALS LTD. AND MUST NOT BE COPIED OR LENT WITHOUT THEIR PERMISSION IN WRITING  
3.THE "APPROVED" INDICATED THAT IT IS A CONTROL COPY  
4. DIMENSION SHOWN ARE FOR INSTALLATION REFERENCE ONLY AND IN MM WITH TOLERANCE OF +/-3mm UNLESS OTHERWISE SPECIFIED