

TECHNICAL DATA SHEET

Division:
Lighting

Department: Design
and Development

Document Number: TD 0918027

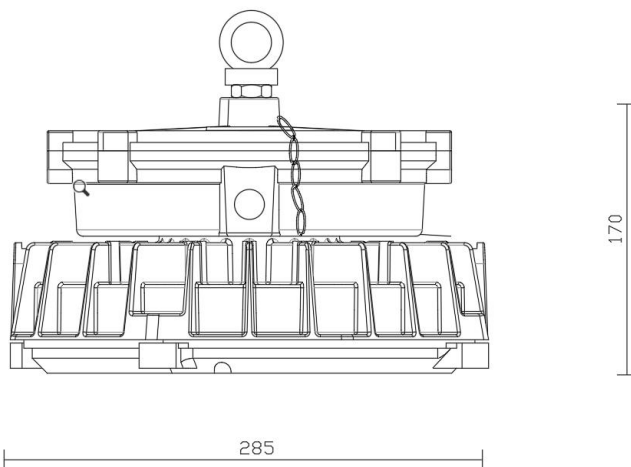
Revision: 00

Date: 22/11/2021

Page 1 of 3

Issue No. 1

Issue Date:02-05-2018



DIMENSIONS SHOWN ARE FOR INSTALLATION REFERENCES ONLY AND WILL HAVE TOLERANCE ± 3 mm UNLESS OTHERWISE SPECIFIED

GENERAL:

Flameproof Integral LED Highbay luminaire comprises of die cast aluminium housing, with toughened glass is cemented into a retaining ring. This luminaire is recommended for illuminating Hazardous Area Gas group IIA and IIB and IIC Zone 1 & 2.

PRODUCT DESCRIPTION	**NOMINAL WATTAGE (W)	CCT (K)	CRI	VOLTAGE (V)	**MAINS CURRENT (A)	*APPROX WT (KG)
FFL1315-100-CDL/60-HB-M	100	5700	70	240	0.438	6.8

*ONLY FOR STRUCTURAL/MOUNTING DESIGN CONSIDERATION

**RATED SYSTEM WATTAGE AND CURRENT WILL HAVE TOLERANCE AS PER IS 16104: 2012

TITLE: LED FLP Highbay 100W	TYPE: FFL1315 SERIES	CUSTOMER REFERENCE:	STAMP: -
PREPARED BY Riteshkumar Doshi	CHECKED BY Ganesh Dhuri	APPROVED BY Ganesh Dhuri	

Note: 1 AS EFFORTS ARE ON CONSTANTLY TO IMPROVE THE DESIGN AND METHODS OF MANUFACTURE OF THE PRODUCT, THE PRODUCT SUPPLIED MAY DIFFER IN DETAIL FROM THE DATA GIVEN HERE IN

2. THIS DRAWING & DESIGN IS THE PROPERTY OF CROMPTON GREAVES CONSUMER ELECTRICALS LTD. AND MUST NOT BE COPIED OR LENT WITHOUT THEIR PERMISSION IN WRITING

3. THE "APPROVED" INDICATED THAT IT IS A CONTROL COPY

4. DIMENSION SHOWN ARE FOR INSTALLATION REFERENCE ONLY AND IN MM WITH TOLERANCE OF +/-3mm UNLESS OTHERWISE SPECIFIED



Crompton Greaves Consumer
Electricals Ltd.

TECHNICAL DATA SHEET

FORM No. DSG/FR/08

Doc Classification:
Restricted-4

Division:
Lighting

Department: Design
and Development

Document Number: TD 0918027

Revision: 00

Date: 22/11/2021

Page 2 of 3

Issue No. 1

Issue Date:02-05-2018

MATERIAL SPECIFICATIONS:

LED Housing	Die cast Aluminium Hammertone Graphite Grey finish from outside
Ring	Die cast Aluminium Hammertone Graphite Grey finish
Glass	Toughened and Heat resistance flat Glass
Mains Terminal	3 way 10 amps suitable for terminating max. 2.5 sq mm incoming cable
Hardware	SS
Internal Wiring	PVC coated multistrand cable
Earthing	1 No. internal and 2 Nos. external screw of size M6x12mm screw with washer
Surge Arrestor	10 KV
Gas Group	Group IIA & IIB & IIC
Conforming to Standard	IS/IEC 60079-1-2014
CIMFR Certificate No	IN/CIMFR/TR21/P/2165

ELECTRICAL PARAMETERS:

Rated Voltage (V)	240
Frequency (Hz)	50 ±3
Operating Voltage Range (V)	120-277
Current (A) @ 240V	0.438
Wattage (W) @240V	100
P.F.	> 0.95
I THD	< 10%
Lumen	EFFICACY >100 Lumens/Watt

TITLE: LED FLP Highbay 100W	TYPE: FFL1315 SERIES	CUSTOMER REFERENCE:	STAMP: -
PREPARED BY Riteshkumar Doshi	CHECKED BY Ganesh Dhuri	APPROVED BY Ganesh Dhuri	

- Note: 1 AS EFFORTS ARE ON CONSTANTLY TO IMPROVE THE DESIGN AND METHODS OF MANUFACTURE OF THE PRODUCT, THE PRODUCT SUPPLIED MAY DIFFER IN DETAIL FROM THE DATA GIVEN HERE IN
2. THIS DRAWING & DESIGN IS THE PROPERTY OF CROMPTON GREAVES CONSUMER ELECTRICALS LTD. AND MUST NOT BE COPIED OR LENT WITHOUT THEIR PERMISSION IN WRITING
- 3.THE "APPROVED" INDICATED THAT IT IS A CONTROL COPY
4. DIMENSION SHOWN ARE FOR INSTALLATION REFERENCE ONLY AND IN MM WITH TOLERANCE OF +/-3mm UNLESS OTHERWISE SPECIFIED



Crompton Greaves Consumer
Electricals Ltd.

TECHNICAL DATA SHEET

FORM No. DSG/FR/08

Doc Classification:
Restricted-4

Division:
Lighting

Department: Design
and Development

Document Number: TD 0918027

Revision: 00

Date: 22/11/2021

Page 3 of 3

Issue No. 1

Issue Date:02-05-2018

INSTALLATION:

Cable Entry	1 Nos of hole with M20X1.5 threads covered with temporary PVC plug provided
Mounting System	EYE Bolt provided as standard
Degree of Protection	EX 'd' & IP66
Area of Classification	Zone 1 & 2

PRODUCT ORDERING CODE:

Product Description	Ordering Code
FFL1315-100-CDL/60-HB-M	LI301910-A2
Cable Gland need to order Separately Cat ref - FG001	

SPARES ORDERING REFERENCE:

Product Description	Driver	Surge Arrestor	Glass with Ring
FFL1315-100-CDL/60-HB-M	2NOS S0DVEL-65-700-45W	SRPSQ-10KV-5KA-440V or SRPSEX-10KV-440V	FPGL02-IIC

TITLE: LED FLP Highbay 100W	TYPE: FFL1315 SERIES	CUSTOMER REFERENCE:	STAMP: -
PREPARED BY Riteshkumar Doshi	CHECKED BY Ganesh Dhuri	APPROVED BY Ganesh Dhuri	

- Note: 1 AS EFFORTS ARE ON CONSTANTLY TO IMPROVE THE DESIGN AND METHODS OF MANUFACTURE OF THE PRODUCT, THE PRODUCT SUPPLIED MAY DIFFER IN DETAIL FROM THE DATA GIVEN HERE IN
2. THIS DRAWING & DESIGN IS THE PROPERTY OF CROMPTON GREAVES CONSUMER ELECTRICALS LTD. AND MUST NOT BE COPIED OR LENT WITHOUT THEIR PERMISSION IN WRITING
3. THE "APPROVED" INDICATED THAT IT IS A CONTROL COPY
4. DIMENSION SHOWN ARE FOR INSTALLATION REFERENCE ONLY AND IN MM WITH TOLERANCE OF +/-3mm UNLESS OTHERWISE SPECIFIED