

# TECHNICAL DATA SHEET

Division:  
Lighting

Department: Design  
and Development

Document Number: TD 0907341

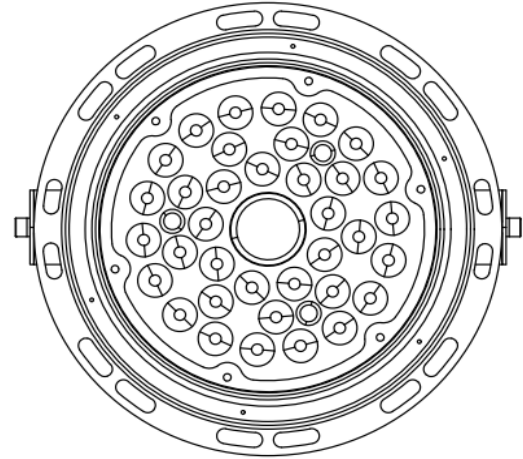
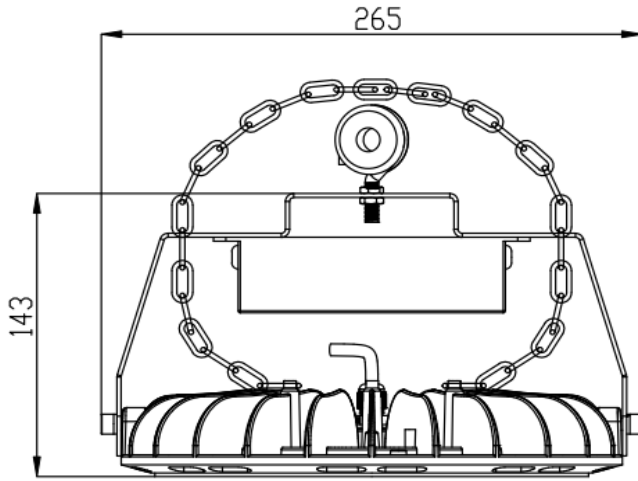
Page 1 of 3

Revision: R00

Issue No. 1

Date: 15/04/2024

Issue Date:02-05-2018



DIMENSIONS SHOWN ARE FOR INSTALLATION REFERENCES ONLY AND WILL HAVE TOLERANCE  $\pm 3\text{mm}$  UNLESS OTHERWISE SPECIFIED

## GENERAL:

This Integral LED High Bay luminaire comprises of heatsink, IP lens, driver with accessories. This is recommended to be used in engineering industries where mounting height is above 6.0Mts.


PRODUCT DESCRIPTION	**NOMINAL WATTAGE (W)	CCT (K)	CRI	VOLTAGE (V)	**MAINS CURRENT (A)	*APPROX WT (KG)
TIP-324-100-57-60D-HL2-NS-LM-NSG	100	5700 ANSI	70 min	240	0.435	2.36
Efficacy $\geq 120\text{LPW}$						

\*ONLY FOR STRUCTURAL/MOUNTING DESIGN CONSIDERATION

\*\*RATED SYSTEM WATTAGE AND CURRENT WILL HAVE TOLERANCE AS PER IS 16104: 2012

TITLE: LED High bay	TYPE: Industrial Lighting	CUSTOMER REFERENCE:	STAMP: <b>(Master Copy) Approved</b>
PREPARED BY Aniket Kute	CHECKED BY Ganesh.dhuri	APPROVED BY Ganesh.dhuri	

Note: 1 AS EFFORTS ARE ON CONSTANTLY TO IMPROVE THE DESIGN AND METHODS OF MANUFACTURE OF THE PRODUCT, THE PRODUCT SUPPLIED MAY DIFFER IN DETAIL FROM THE DATA GIVEN HERE IN  
 2. THIS DRAWING & DESIGN IS THE PROPERTY OF CROMPTON GREAVES CONSUMER ELECTRICALS LTD. AND MUST NOT BE COPIED OR LENT WITHOUT THEIR PERMISSION IN WRITING  
 3. THE "APPROVED" INDICATED THAT IT IS A CONTROL COPY  
 4. DIMENSION SHOWN ARE FOR INSTALLATION REFERENCE ONLY AND IN MM WITH TOLERANCE OF  $\pm 3\text{mm}$  UNLESS OTHERWISE SPECIFIED


 Crompton Greaves Consumer Electricals Ltd.	<h1>TECHNICAL DATA SHEET</h1>		FORM No. DSG/FR/08	
			Doc Classification: Restricted-4	
	<b>Division:</b> Lighting	<b>Department:</b> Design and Development	Document Number: TD 0907341	Page 2 of 3
			Revision: R00	Issue No. 1
		Date: 15/04/2024	Issue Date:02-05-2018	

MATERIAL SPECIFICATIONS:	
Housing	Pressure die cast Aluminum powder coated in Graphite Grey RAL-7037
Cover	IP-Lens
Internal Wiring	PVC coated multistrand copper wire
Cable	3 Core PVC coated multistrand copper conductor cable
Earthing	1 No. suitable for 14SWG earthing wire
Mains Terminal	5 way 10 amps suitable for terminating max.2.5 sq mm incoming cable
Surge Arrestor	5KV inbuilt in driver

ELECTRICAL PARAMETERS:	
Rated Voltage (V)	240
Frequency (Hz)	50 ± 3%
Operating Voltage Range (V)	120-270V
Current (A) @ 240V	0.435
Wattage (W) @240V	100
P.F.	> 0.95
I THD	<10

TITLE: LED High bay	TYPE: Industrial Lighting	CUSTOMER REFERENCE:	STAMP: <b>(Master Copy) Approved</b>
PREPARED BY Aniket Kute	CHECKED BY Ganesh.dhuri	APPROVED BY Ganesh.dhuri	

Note: 1 AS EFFORTS ARE ON CONSTANTLY TO IMPROVE THE DESIGN AND METHODS OF MANUFACTURE OF THE PRODUCT, THE PRODUCT SUPPLIED MAY DIFFER IN DETAIL FROM THE DATA GIVEN HERE IN  
2. THIS DRAWING & DESIGN IS THE PROPERTY OF CROMPTON GREAVES CONSUMER ELECTRICALS LTD. AND MUST NOT BE COPIED OR LENT WITHOUT THEIR PERMISSION IN WRITING  
3.THE "APPROVED" INDICATED THAT IT IS A CONTROL COPY  
4. DIMENSION SHOWN ARE FOR INSTALLATION REFERENCE ONLY AND IN MM WITH TOLERANCE OF +/-3mm UNLESS OTHERWISE SPECIFIED

 Crompton Greaves Consumer Electricals Ltd.	<h1>TECHNICAL DATA SHEET</h1>		FORM No. DSG/FR/08	
			Doc Classification: Restricted-4	
	<b>Division:</b> Lighting	<b>Department:</b> Design and Development	Document Number: TD 0907341	Page 3 of 3
			Revision: R00	Issue No. 1
		Date: 15/04/2024	Issue Date:02-05-2018	

INSTALLATION:	
Mounting System	Cradle with EYE bolt provided for mounting purpose
Maintenance	Driver can be replaced for maintenance
Protection	IP 66

PRODUCT ORDERING CODE:	
Product Description	Ordering Code
TIP-324-100-57-60D-HL2-NS-LM-NSG	TLI300422-M2

SPARES ORDERING REFERENCE:				
Product Description	Driver	Cover		
TIP-324-100-57-60D-HL2-NS-LM-NSG	100W@700mA	S0-IPL-100-HB		

TITLE: LED High bay	TYPE: Industrial Lighting	CUSTOMER REFERENCE:	STAMP: <b>(Master Copy) Approved</b>
PREPARED BY Aniket Kute	CHECKED BY Ganesh.dhuri	APPROVED BY Ganesh.dhuri	

Note: 1 AS EFFORTS ARE ON CONSTANTLY TO IMPROVE THE DESIGN AND METHODS OF MANUFACTURE OF THE PRODUCT, THE PRODUCT SUPPLIED MAY DIFFER IN DETAIL FROM THE DATA GIVEN HERE IN

2. THIS DRAWING & DESIGN IS THE PROPERTY OF CROMPTON GREAVES CONSUMER ELECTRICALS LTD. AND MUST NOT BE COPIED OR LENT WITHOUT THEIR PERMISSION IN WRITING

3. THE "APPROVED" INDICATED THAT IT IS A CONTROL COPY

4. DIMENSION SHOWN ARE FOR INSTALLATION REFERENCE ONLY AND IN MM WITH TOLERANCE OF +/-3mm UNLESS OTHERWISE SPECIFIED