

# TECHNICAL DATA SHEET

Division:  
Lighting

Department: Design  
and Development

Document Number: TD 0911040

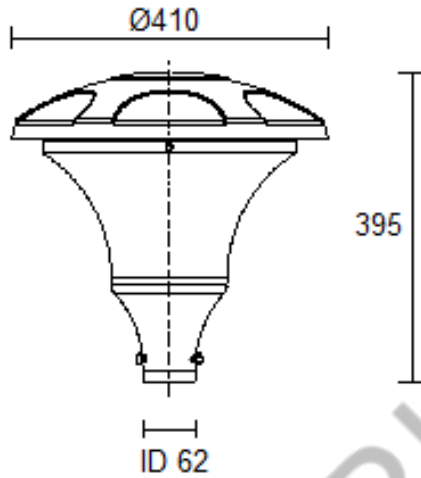
Revision: R02

Date: 24/11/2022

Page 1 of 3

Issue No. 1

Issue Date:02-05-2018



DIMENSIONS SHOWN ARE FOR INSTALLATION REFERENCES ONLY AND WILL HAVE TOLERANCE  $\pm 3$ mm UNLESS OTHERWISE SPECIFIED

## GENERAL:

This LED posttop luminaire has a single piece construction. It comprises of die cast housing and PC diffuser & spun aluminum reflector This luminaire is recommended for illuminating access roads, gardens, etc.

PRODUCT DESCRIPTION	**NOMINAL WATTAGE (W)	CCT (K)	CRI	VOLTAGE (V)	**MAINS CURRENT (A)	*APPROX WT (KG)
LPTO-40-CDL-M	40	5700 ANSI	70	240	0.175	5.8
Efficacy > 100 L/Watt						

\*ONLY FOR STRUCTURAL/MOUNTING DESIGN CONSIDERATION

\*\*RATED SYSTEM WATTAGE AND CURRENT WILL HAVE TOLERANCE AS PER IS 16104: 2012

TITLE: LPTO-40-CDL-M	TYPE: Landscape Lighting	CUSTOMER REFERENCE:	STAMP: <b>(Master Copy) Approved</b>
PREPARED BY Riteshkumar.doshi	CHECKED BY Ganesh.dhuri	APPROVED BY Ganesh.dhuri	

- Note: 1 AS EFFORTS ARE ON CONSTANTLY TO IMPROVE THE DESIGN AND METHODS OF MANUFACTURE OF THE PRODUCT, THE PRODUCT SUPPLIED MAY DIFFER IN DETAIL FROM THE DATA GIVEN HERE IN
2. THIS DRAWING & DESIGN IS THE PROPERTY OF CROMPTON GREAVES CONSUMER ELECTRICALS LTD. AND MUST NOT BE COPIED OR LENT WITHOUT THEIR PERMISSION IN WRITING
3. THE "APPROVED" INDICATED THAT IT IS A CONTROL COPY
4. DIMENSION SHOWN ARE FOR INSTALLATION REFERENCE ONLY AND IN MM WITH TOLERANCE OF  $\pm 3$ mm UNLESS OTHERWISE SPECIFIED

Division:  
LightingDepartment: Design  
and Development

Document Number: TD 0911040

Revision: R02

Date: 24/11/2022

Page 2 of 3

Issue No. 1

Issue Date:02-05-2018

**MATERIAL SPECIFICATIONS:**

Housing	Aluminium alloy powder coated in graphite grey.
Reflector	Aluminum; bright anodized with sand blast.
Diffuser	Clear frosted Polycarbonate
Internal Wiring	PVC coated multistrand copper wire.
Mains Terminal	3 way 10 amps suitable for 2.5sq. incoming cable.
Cable	PVC coated multistrand 3 Core cable.
Surge Arrestor	1 No 10KV ,440V

**ELECTRICAL PARAMETERS:**

Rated Voltage (V)	240
Frequency (Hz)	50
Operating Voltage Range (V)	120-270
Current (A) @ 240V	0.175
Wattage (W) @240V	40
P.F.	≥ 0.95
I THD	< 10 %

TITLE: LPTO-40-CDL-M	TYPE: Landscape Lighting	CUSTOMER REFERENCE:	STAMP: <b>(Master Copy) Approved</b>
PREPARED BY Riteshkumar.doshi	CHECKED BY Ganesh.dhuri	APPROVED BY Ganesh.dhuri	

Note: 1 AS EFFORTS ARE ON CONSTANTLY TO IMPROVE THE DESIGN AND METHODS OF MANUFACTURE OF THE PRODUCT, THE PRODUCT SUPPLIED MAY DIFFER IN DETAIL FROM THE DATA GIVEN HERE IN  
 2. THIS DRAWING & DESIGN IS THE PROPERTY OF CROMPTON GREAVES CONSUMER ELECTRICALS LTD. AND MUST NOT BE COPIED OR LENT WITHOUT THEIR PERMISSION IN WRITING  
 3.THE "APPROVED" INDICATED THAT IT IS A CONTROL COPY  
 4. DIMENSION SHOWN ARE FOR INSTALLATION REFERENCE ONLY AND IN MM WITH TOLERANCE OF +/-3mm UNLESS OTHERWISE SPECIFIED



Crompton Greaves Consumer  
Electricals Ltd.

# TECHNICAL DATA SHEET

FORM No. DSG/FR/08

Doc Classification:  
Restricted-4

Division:  
Lighting

Department: Design  
and Development

Document Number: TD 0911040

Revision: R02

Date: 24/11/2022

Page 3 of 3

Issue No. 1

Issue Date:02-05-2018

## INSTALLATION:

Cable Entry	Through mounting pipe.
Mounting System	Suitable for 60mm max. O.D. mounting pipe
Protection	IP 65

## PRODUCT ORDERING CODE:

Product Description	Ordering Code
LPTO-40-CDL-M	LB600014-A2

## SPARES ORDERING REFERENCE:

Product Description	Driver			
LPTO-40-CDL-M	S0DVLEL-54-700-40W			

TITLE: LPTO-40-CDL-M	TYPE: Landscape Lighting	CUSTOMER REFERENCE:	STAMP: <b>(Master Copy) Approved</b>
PREPARED BY Riteshkumar.doshi	CHECKED BY Ganesh.dhuri	APPROVED BY Ganesh.dhuri	

Note: 1 AS EFFORTS ARE ON CONSTANTLY TO IMPROVE THE DESIGN AND METHODS OF MANUFACTURE OF THE PRODUCT, THE PRODUCT SUPPLIED MAY DIFFER IN DETAIL FROM THE DATA GIVEN HERE IN  
 2. THIS DRAWING & DESIGN IS THE PROPERTY OF CROMPTON GREAVES CONSUMER ELECTRICALS LTD. AND MUST NOT BE COPIED OR LENT WITHOUT THEIR PERMISSION IN WRITING  
 3.THE "APPROVED" INDICATED THAT IT IS A CONTROL COPY  
 4. DIMENSION SHOWN ARE FOR INSTALLATION REFERENCE ONLY AND IN MM WITH TOLERANCE OF +/-3mm UNLESS OTHERWISE SPECIFIED