

TECHNICAL DATA SHEET

Division:
Lighting

Department: Design
and Development

Document Number: TD0901480

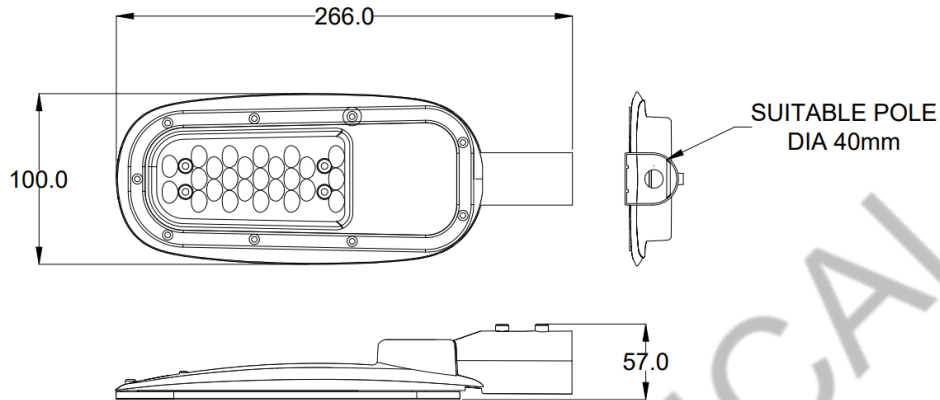
Page 1 of 3

Revision:R02

Issue No. 1

Date: 05/10/2025

Issue Date:02-05-2018



DIMENSIONS SHOWN ARE FOR INSTALLATION REFERENCES ONLY AND WILL HAVE TOLERANCE $\pm 3\text{mm}$ UNLESS OTHERWISE SPECIFIED

GENERAL:

This street light luminaire comprises of die cast Aluminium housing powder coated and integrated IP lens diffuser. This luminaire is recommended for illuminating access roads and traffic roads, etc.

PRODUCT DESCRIPTION	**NOMINAL WATTAGE (W)	CCT (K)	CRI	VOLTAGE (V)	**MAINS CURRENT (A)	*APPROX WT (KG) $\pm 10\%$
ERP-427-25-57-HL2-LM-NTG	25W	5700 ANSI	70 min	240	0.100	0.425
Efficacy - 120LPW						

*Only for structural/Mounting design consideration.

**Rated system wattage and current will have tolerance as per IS 16104: 2012.

***As per the IS 16107 Part 2- Sec1 clause no. 8.3, measured luminaire efficacy shall not be less than 90% of rated value.

TITLE: 25W STREETLIGHT	TYPE: Street Lighting	CUSTOMER REFERENCE:	STAMP: (Master Copy) Approved
PREPARED BY Aniket Kute	CHECKED BY Ganesh.dhuri	APPROVED BY Ganesh Dhuri	Ganesh.dhuri

Note: 1 AS EFFORTS ARE ON CONSTANTLY TO IMPROVE THE DESIGN AND METHODS OF MANUFACTURE OF THE PRODUCT, THE PRODUCT SUPPLIED MAY DIFFER IN DETAIL FROM THE DATA GIVEN HERE IN
 2. THIS DRAWING & DESIGN IS THE PROPERTY OF CROMPTON GREAVES CONSUMER ELECTRICALS LTD. AND MUST NOT BE COPIED OR LENT WITHOUT THEIR PERMISSION IN WRITING
 3. THE "APPROVED" INDICATED THAT IT IS A CONTROL COPY
 4. DIMENSION SHOWN ARE FOR INSTALLATION REFERENCE ONLY AND IN MM WITH TOLERANCE OF $\pm 3\text{mm}$ UNLESS OTHERWISE SPECIFIED



Crompton Greaves Consumer
Electricals Ltd.

TECHNICAL DATA SHEET

FORM No. DSG/FR/08

Doc Classification:
Restricted-4

Division:
Lighting

Department: Design
and Development

Document Number: TD0901480

Revision:R02

Date: 05/10/2025

Page 2 of 3

Issue No. 1

Issue Date:02-05-2018

MATERIAL SPECIFICATIONS:

Housing	Pressure die cast Aluminum powder coated in RAL 7046 Tele Grey
Diffuser	integrated IP lens-PC
Internal Wiring	PVC multistrand copper wire
Cable	PVC 3 core mains cable.
Surge Arrestor	4Kv inbuilt in driver.

ELECTRICAL PARAMETERS:

Rated Voltage (V)	240
Frequency (Hz)	50 ± 3%
Operating Voltage Range (V)	140-300V
Current (A) @ 240V	0.100
Wattage (W) @240V	25W
P.F.	≥ 0.95
I THD	< 10 %

TITLE: 25W STREETLIGHT 4.000	TYPE: Street Lighting	CUSTOMER REFERENCE:	STAMP: (Master Copy) Approved
PREPARED BY Aniket Kute	CHECKED BY Ganesh.dhuri	APPROVED BY Ganesh Dhuri	Ganesh.dhuri

Note: 1 AS EFFORTS ARE ON CONSTANTLY TO IMPROVE THE DESIGN AND METHODS OF MANUFACTURE OF THE PRODUCT, THE PRODUCT SUPPLIED MAY DIFFER IN DETAIL FROM THE DATA GIVEN HERE IN
 2. THIS DRAWING & DESIGN IS THE PROPERTY OF CROMPTON GREAVES CONSUMER ELECTRICALS LTD. AND MUST NOT BE COPIED OR LENT WITHOUT THEIR PERMISSION IN WRITING
 3.THE "APPROVED" INDICATED THAT IT IS A CONTROL COPY
 4. DIMENSION SHOWN ARE FOR INSTALLATION REFERENCE ONLY AND IN MM WITH TOLERANCE OF +/-3mm UNLESS OTHERWISE SPECIFIED



Crompton Greaves Consumer
Electricals Ltd.

TECHNICAL DATA SHEET

FORM No. DSG/FR/08

Doc Classification:
Restricted-4

Division:
Lighting

Department: Design
and Development

Document Number: TD0901480

Revision:R02

Date: 05/10/2025

Page 3 of 3

Issue No. 1

Issue Date:02-05-2018

INSTALLATION:

Mounting System	Mounting Pipe is suitable for pipes having OD 32 mm to 40 mm.
Protection	IP 66

PRODUCT ORDERING CODE:

Product Description	Ordering Code
ERP-427-25-57-HL2-LM-NTG	ELR400001-E6

M H ELECTRICAL

TITLE: 25W STREETLIGHT 4.30C	TYPE: Street Lighting	CUSTOMER REFERENCE:	STAMP: (Master Copy) Approved
PREPARED BY Aniket Kute	CHECKED BY Ganesh.dhuri	APPROVED BY Ganesh Dhuri	Ganesh.dhuri

Note: 1 AS EFFORTS ARE ON CONSTANTLY TO IMPROVE THE DESIGN AND METHODS OF MANUFACTURE OF THE PRODUCT, THE PRODUCT SUPPLIED MAY DIFFER IN DETAIL FROM THE DATA GIVEN HERE IN
 2. THIS DRAWING & DESIGN IS THE PROPERTY OF CROMPTON GREAVES CONSUMER ELECTRICALS LTD. AND MUST NOT BE COPIED OR LENT WITHOUT THEIR PERMISSION IN WRITING
 3.THE "APPROVED" INDICATED THAT IT IS A CONTROL COPY
 4. DIMENSION SHOWN ARE FOR INSTALLATION REFERENCE ONLY AND IN MM WITH TOLERANCE OF +/-3mm UNLESS OTHERWISE SPECIFIED