

TECHNICAL DATA SHEET

Division:
Lighting

Department: Design
and Development

Document Number: TD0901332

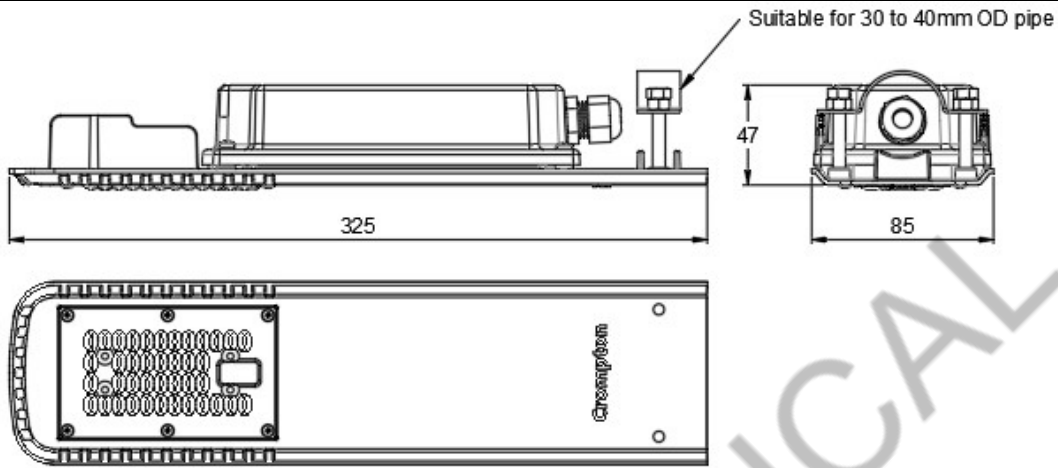
Revision:

Date: 13/11/2021

Page 1 of 3

Issue No. 1

Issue Date:02-05-2018



DIMENSIONS SHOWN ARE FOR INSTALLATION REFERENCES ONLY AND WILL HAVE TOLERANCE $\pm 3\text{mm}$ UNLESS OTHERWISE SPECIFIED

GENERAL:

This streetlight luminaire comprises of die cast aluminium housing with IP66 lens module. This luminaire is recommended for illuminating access roads, traffic routes etc.

PRODUCT DESCRIPTION	**NOMINAL WATTAGE (W)	CCT (K)	CRI	VOLTAGE (V)	**MAINS CURRENT (A)	*APPROX WT (KG)
TRP-417-45-57-SL-LM-NBK	45	5700 ANSI	70	240	0.197	1.30
Efficacy > 100LPW						

*ONLY FOR STRUCTURAL/MOUNTING DESIGN CONSIDERATION

**RATED SYSTEM WATTAGE AND CURRENT WILL HAVE TOLERANCE AS PER IS 16104: 2012

CONTROLLED COPY
IF STAMPED IN RED
VALIDITY : UNTIL NEXT REVISION
DESIGN & DEVELOPMENT DEPT.

TITLE: 45W LED STREETLIGHT	TYPE: TRP	CUSTOMER REFERENCE:	STAMP:
PREPARED BY ganes.hdhuri	CHECKED BY	APPROVED BY	

Note: 1 AS EFFORTS ARE ON CONSTANTLY TO IMPROVE THE DESIGN AND METHODS OF MANUFACTURE OF THE PRODUCT, THE PRODUCT SUPPLIED MAY DIFFER IN DETAIL FROM THE DATA GIVEN HERE IN

2. THIS DRAWING & DESIGN IS THE PROPERTY OF CROMPTON GREAVES CONSUMER ELECTRICALS LTD. AND MUST NOT BE COPIED OR LENT WITHOUT THEIR PERMISSION IN WRITING

3. THE "APPROVED" INDICATED THAT IT IS A CONTROL COPY

4. DIMENSION SHOWN ARE FOR INSTALLATION REFERENCE ONLY AND IN MM WITH TOLERANCE OF $\pm 3\text{mm}$ UNLESS OTHERWISE SPECIFIED

Division:
LightingDepartment: Design
and Development

Document Number: TD0901332

Revision:

Date: 13/11/2021

Page 2 of 3

Issue No. 1

Issue Date:02-05-2018

MATERIAL SPECIFICATIONS:

Housing	Aluminium Die cast powder coated in Matt Black
IP Lens Module	Polycarbonate
Internal Wiring	PVC coated multistrand wire
Cable	3 Core PVC coated multistrand cable.
Surge Arrestor	4 KV inbuilt in Driver

ELECTRICAL PARAMETERS:

Rated Voltage (V)	240
Frequency (Hz)	50 ±3
Operating Voltage Range (V)	120 – 270~
Current (A) @ 240V	0.197
Wattage (W) @240V	45
P.F.	≧ 0.95
I THD	< 10%

CONTROLLED COPY
IF STAMPED IN RED
VALIDITY : UNTIL NEXT REVISION
DESIGN & DEVELOPMENT DEPT.

TITLE: 45W LED STREETLIGHT	TYPE: TRP	CUSTOMER REFERENCE:	STAMP: -
PREPARED BY ganesh.dhuri	CHECKED BY	APPROVED BY	

- Note: 1 AS EFFORTS ARE ON CONSTANTLY TO IMPROVE THE DESIGN AND METHODS OF MANUFACTURE OF THE PRODUCT, THE PRODUCT SUPPLIED MAY DIFFER IN DETAIL FROM THE DATA GIVEN HERE IN
 2. THIS DRAWING & DESIGN IS THE PROPERTY OF CROMPTON GREAVES CONSUMER ELECTRICALS LTD. AND MUST NOT BE COPIED OR LENT WITHOUT THEIR PERMISSION IN WRITING
 3. THE "APPROVED" INDICATED THAT IT IS A CONTROL COPY
 4. DIMENSION SHOWN ARE FOR INSTALLATION REFERENCE ONLY AND IN MM WITH TOLERANCE OF +/-3mm UNLESS OTHERWISE SPECIFIED



Crompton Greaves Consumer
Electricals Ltd.

TECHNICAL DATA SHEET

FORM No. DSG/FR/08

Doc Classification:
Restricted-4

Division:
Lighting

Department: Design
and Development

Document Number: TD0901332

Revision:

Date: 13/11/2021

Page 3 of 3

Issue No. 1

Issue Date:02-05-2018

INSTALLATION:

Mounting System	Suitable for 30 to 40 mm max. O.D. mounting pipe.
Protection	IP 66

PRODUCT ORDERING CODE:

Product Description	Ordering Code
TRP-417-45-57-SL-LM-NBK	TLR400230-E4

SPARES ORDERING REFERENCE:

Product Description	Driver			
TRP-417-45-57-SL-LM-NBK	45W @700mA S0DVEXC4-45W-700			

CONTROLLED COPY
 IF STAMPED IN RED
 VALIDITY : UNTIL NEXT REVISION
 DESIGN & DEVELOPMENT DEPT.

TITLE: 45W LED STREETLIGHT	TYPE: TRP	CUSTOMER REFERENCE:	STAMP: -
PREPARED BY ganesh.dhuri	CHECKED BY	APPROVED BY	

- Note: 1 AS EFFORTS ARE ON CONSTANTLY TO IMPROVE THE DESIGN AND METHODS OF MANUFACTURE OF THE PRODUCT, THE PRODUCT SUPPLIED MAY DIFFER IN DETAIL FROM THE DATA GIVEN HERE IN
2. THIS DRAWING & DESIGN IS THE PROPERTY OF CROMPTON GREAVES CONSUMER ELECTRICALS LTD. AND MUST NOT BE COPIED OR LENT WITHOUT THEIR PERMISSION IN WRITING
3. THE "APPROVED" INDICATED THAT IT IS A CONTROL COPY
4. DIMENSION SHOWN ARE FOR INSTALLATION REFERENCE ONLY AND IN MM WITH TOLERANCE OF +/-3mm UNLESS OTHERWISE SPECIFIED