

# TECHNICAL DATA SHEET

**Division:**  
Lighting

**Department:** Design  
and Development

**Document Number:** TD09011472

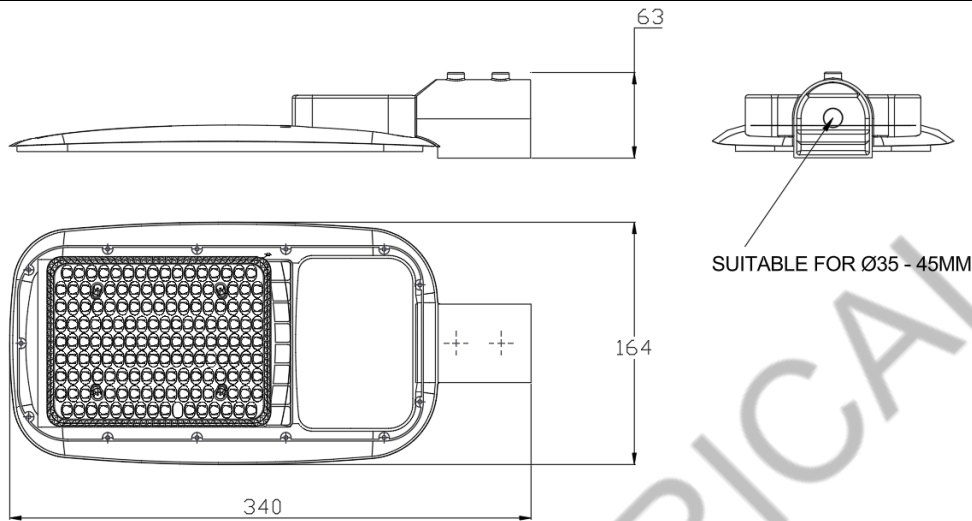
Revision:R00

Date: 26/05/2025

Page 1 of 3

Issue No. 1

Issue Date:02-05-2018



DIMENSIONS SHOWN ARE FOR INSTALLATION REFERENCES ONLY AND WILL HAVE TOLERANCE ±3mm UNLESS OTHERWISE SPECIFIED

### GENERAL:

This street light luminaire comprises of die cast Aluminum housing powder coated and integrated IP lens diffuser. This luminaire is recommended for illuminating access roads and traffic roads, etc.

PRODUCT DESCRIPTION	**NOMINAL WATTAGE (W)	CCT (K)	CRI	VOLTAGE (V)	**MAINS CURRENT (A)	*APPROX WT (KG)± 10 %
ERP-433-60-857-HL2-LM-NTG	60	5700 ANSI	80 min	240	0.263	1.20
Efficacy – 120 LPW***						

\*ONLY FOR STRUCTURAL/MOUNTING DESIGN CONSIDERATION

\*\*RATED SYSTEM WATTAGE AND CURRENT WILL HAVE TOLERANCE AS PER IS 16104: 2012

\*\*\*As per the IS 16107 Part 2- Sec1 clause no. 8.3, measured luminaire efficacy shall not be less than 90% of rated value

<b>TITLE:</b> 60W STREETLIGHT	<b>TYPE:</b> Street Lighting	<b>CUSTOMER REFERENCE:</b>	<b>STAMP:</b> -
<b>PREPARED BY</b> Riteshkumar Doshi	<b>CHECKED BY</b>	<b>APPROVED BY</b> Ganesh Dhuri	

- Note: 1 AS EFFORTS ARE ON CONSTANTLY TO IMPROVE THE DESIGN AND METHODS OF MANUFACTURE OF THE PRODUCT, THE PRODUCT SUPPLIED MAY DIFFER IN DETAIL FROM THE DATA GIVEN HERE IN
2. THIS DRAWING & DESIGN IS THE PROPERTY OF CROMPTON GREAVES CONSUMER ELECTRICALS LTD. AND MUST NOT BE COPIED OR LENT WITHOUT THEIR PERMISSION IN WRITING
- 3.THE "APPROVED" INDICATED THAT IT IS A CONTROL COPY
4. DIMENSION SHOWN ARE FOR INSTALLATION REFERENCE ONLY AND IN MM WITH TOLERANCE OF +/-3mm UNLESS OTHERWISE SPECIFIED

Division:  
LightingDepartment: Design  
and Development

Document Number: TD09011472

Revision:R00

Date: 26/05/2025

Page 2 of 3

Issue No. 1

Issue Date:02-05-2018

**MATERIAL SPECIFICATIONS:**

Housing	Pressure die cast Aluminum powder coated in Telegrey RAL 7046
Diffuser	Integrated IP lens-PC
Internal Wiring	PVC multistrand copper wire
Cable	3 Core PVC mains cable.
Surge Arrestor	4KV inbuilt in driver.

**ELECTRICAL PARAMETERS:**

Rated Voltage (V)	240
Frequency (Hz)	50 ± 3%
Operating Voltage Range (V)	120-270V
Current (A) @ 240V	0.263
Wattage (W) @240V	60
P.F.	≥ 0.95
I THD	< 10 %

TITLE: 60W STREETLIGHT	TYPE: Street Lighting	CUSTOMER REFERENCE:	STAMP: -
PREPARED BY Riteshkumar Doshi	CHECKED BY	APPROVED BY Ganesh Dhuri	

Note: 1 AS EFFORTS ARE ON CONSTANTLY TO IMPROVE THE DESIGN AND METHODS OF MANUFACTURE OF THE PRODUCT, THE PRODUCT SUPPLIED MAY DIFFER IN DETAIL FROM THE DATA GIVEN HERE IN  
 2. THIS DRAWING & DESIGN IS THE PROPERTY OF CROMPTON GREAVES CONSUMER ELECTRICALS LTD. AND MUST NOT BE COPIED OR LENT WITHOUT THEIR PERMISSION IN WRITING  
 3.THE "APPROVED" INDICATED THAT IT IS A CONTROL COPY  
 4. DIMENSION SHOWN ARE FOR INSTALLATION REFERENCE ONLY AND IN MM WITH TOLERANCE OF +/-3mm UNLESS OTHERWISE SPECIFIED



Crompton Greaves Consumer  
Electricals Ltd.

# TECHNICAL DATA SHEET

FORM No. DSG/FR/08

Doc Classification:  
Restricted-4

**Division:**  
Lighting

**Department:** Design  
and Development

**Document Number:** TD09011472

Revision:R00

Date: 26/05/2025

Page 3 of 3

Issue No. 1

Issue Date:02-05-2018

## INSTALLATION:

Mounting System	Suitable for 35 to 45mm OD mounting pipe.
Protection	IP 66

## PRODUCT ORDERING CODE:

Product Description	Ordering Code
ERP-433-60-857-HL2-LM-NTG	ELR400040-M3

## SPARES ORDERING REFERENCE:

Product Description	Driver			
ERP-433-60-857-HL2-LM-NTG	60W @700mA			

<b>TITLE:</b> 60W STREETLIGHT	<b>TYPE:</b> Street Lighting	<b>CUSTOMER REFERENCE:</b>	<b>STAMP:</b> -
<b>PREPARED BY</b> Riteshkumar Doshi	<b>CHECKED BY</b>		<b>APPROVED BY</b> Ganesh Dhuri

Note: 1 AS EFFORTS ARE ON CONSTANTLY TO IMPROVE THE DESIGN AND METHODS OF MANUFACTURE OF THE PRODUCT, THE PRODUCT SUPPLIED MAY DIFFER IN DETAIL FROM THE DATA GIVEN HERE IN  
 2. THIS DRAWING & DESIGN IS THE PROPERTY OF CROMPTON GREAVES CONSUMER ELECTRICALS LTD. AND MUST NOT BE COPIED OR LENT WITHOUT THEIR PERMISSION IN WRITING  
 3.THE "APPROVED" INDICATED THAT IT IS A CONTROL COPY  
 4. DIMENSION SHOWN ARE FOR INSTALLATION REFERENCE ONLY AND IN MM WITH TOLERANCE OF +/-3mm UNLESS OTHERWISE SPECIFIED