



Wanderer **Neo**

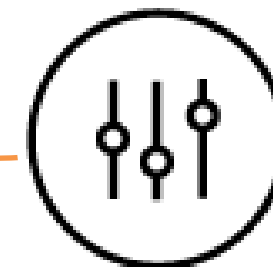
LED STREET LIGHT

No compromises, only performance

Wanderer Neo is the ultimate upgrade from conventional streetlights. Its IK08-rated construction ensures superior impact resistance and durability, while the integrated lens design enhances efficiency with lower losses.



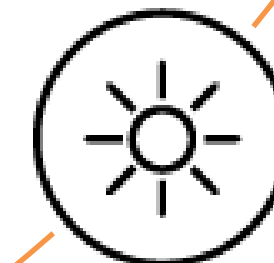
IK08



<10% THD
> 0.95 PF



4KV Internal
Surge Protection



120Lm/W
Efficacy

Now available in
60W, 70W, 90W, 100W, 120W

Features & Benefits



Optimized Light Distribution
Secondary optics with a BAT wing profile ensure wide, uniform coverage



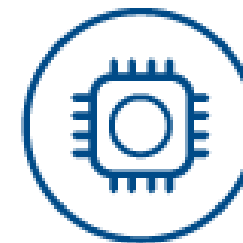
Enhanced Efficiency
Pressure die-cast housing paired with an integrated lens minimizes light loss while maximizing performance



Potted driver
Ensures superior durability and performance



Robust Protection
IP66-rated for exceptional resistance to dust and water ingress



SMD LEDs
Delivers brighter, more efficient illumination

Versatile Applications



Gated Communities



Municipal Roads



Periphery Lighting



Gardens



Security Lighting



Technical details

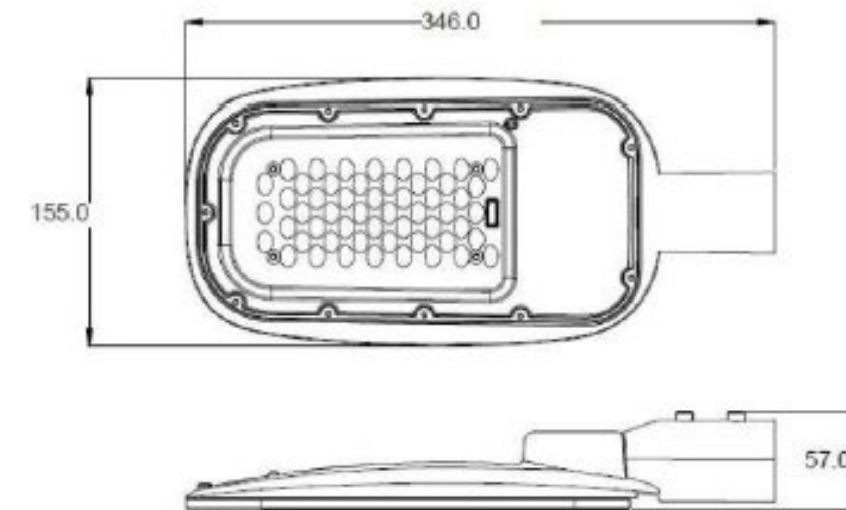
Product description	Nominal Wattage	CCT (K)	CRI	Voltage (V)	Main Current (A)
ERP-433-60-857-HL2-LM-NTG	60W	5700	80 min	240	0.263
ERP-436-70-857-HL2-LM-NTG	70W	5700	80 min	240	0.307
ERP-434-90-857-HL2-LM-NTG	90W	5700	80 min	240	0.395
ERP-434-100-857-HL2-LM-NTG	100W	5700	80 min	240	0.435
ERP-434-120-857-HL2-LM-NTG	120W	5700	80 min	240	0.526



60W



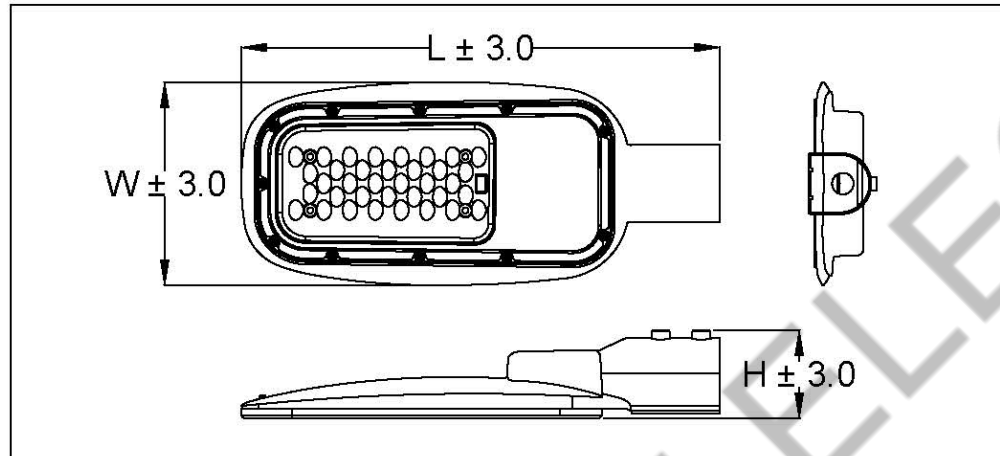
70W / 90W / 100W / 120W



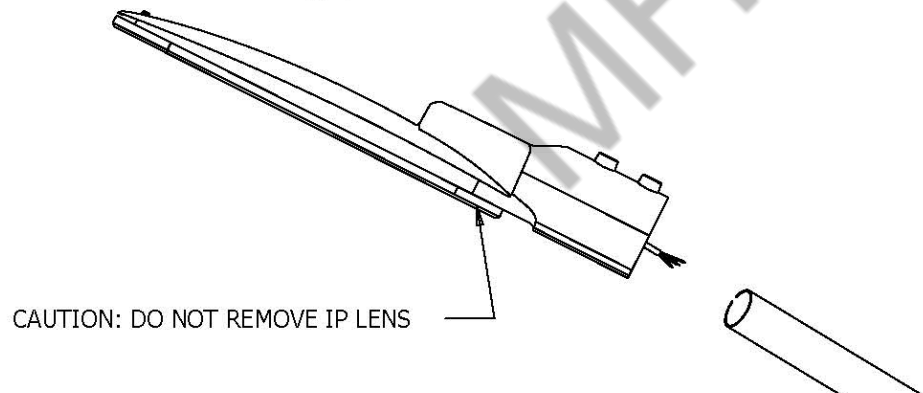
INSTALLATION SHEET

LED STREET LIGHT RANGE

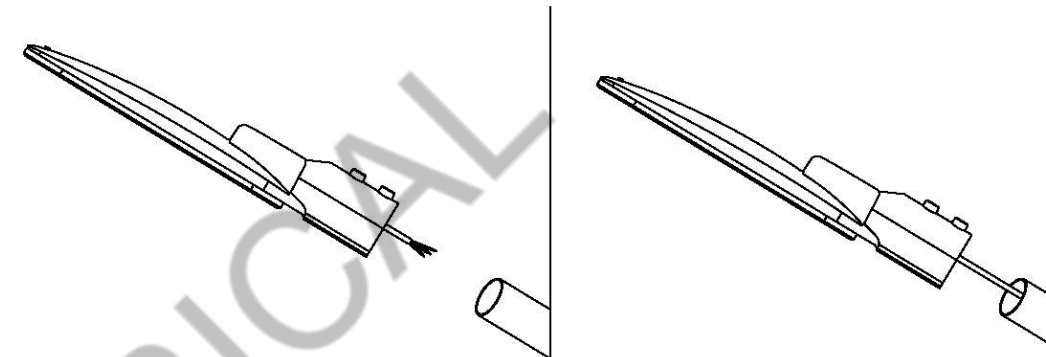
Dimensional details / Suitable pole diameter					
Sr. No.	Dimension in mm. Tolerance ± 3 mm			Mounting Bolt Size & Quantity	Suitable Pole Diameter
	L	W	H		
1	266	100	57	M6 X 2 Nos	Suitable For Pole dia. 40MM Max.
2	307	130	57	M6 X 2 Nos.	Suitable For Pole dia. 40 MM Max.
3	346	155	57	M6 X 2 Nos.	Suitable For Pole dia. 40 MM Max.



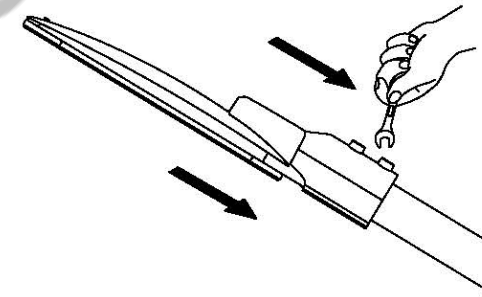
1. Pull the mains cable through pole arm



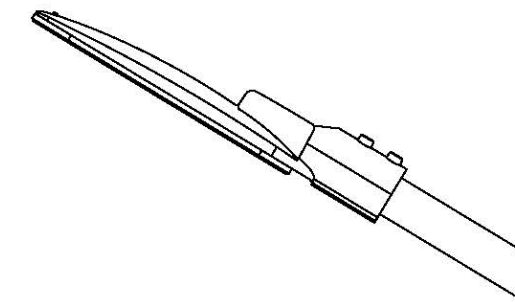
2. Connect to respective terminals of mains connector.



3. Insert pole arm up to housing & tighten bolts firmly.



Your luminaire is ready for use.



NOTE :-

- Provide proper earthing to the luminaire
- Do not remove IP lens.
- Carryout maintenance with qualified personnel only

3a. Use check nut to lock the screw firmly.

Crompton

Crompton Greaves Consumer Electricals Limited
05GBD , Godrej Business District , Pirojshanagar, Vikhroli (West)
Mumbai, Maharashtra - 400079.

Thank You!

